



Model 375 (12")

Reduced Pressure Principle Assembly

Application

Designed for installation on potable water lines to protect against both backsiphonage and backpressure of contaminated water into the potable water supply. The Model 375 provides protection where a potential health hazard exists. Ideal for use where lead-free* valves are required.



LEAD FREE

Standards Compliance

(Contact manufacturer for approval)

Materials

Main valve body	Ductile Iron ASTM A 536
Access covers	Ductile Iron ASTM A 536
Coatings	NSF Approved fusion epoxy finish
Internals	Stainless steel, 300 Series NORYL™
Fasteners	Stainless Steel, 300 Series
Seal rings	EPDM (FDA approved)
O-rings	Buna Nitrile (FDA approved)
Springs	Stainless Steel, 300 Series
Sensing line	Stainless Steel, braided hose

Options

(Suffixes can be combined)

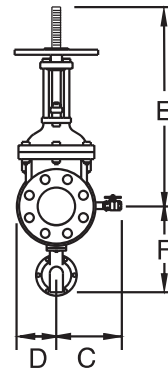
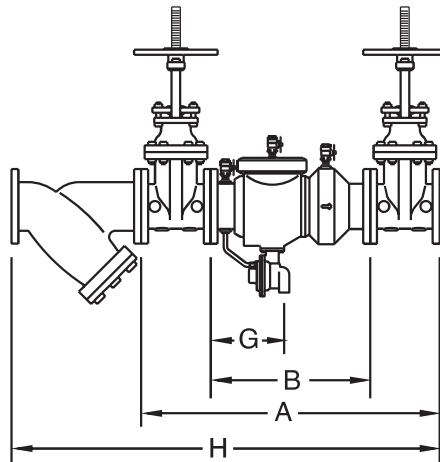
- with NRS shut-off valves (standard)
- OSY** - with **OS&Y gate valves**
- FSC - with epoxy coated wye type strainer (flanged only)

Accessories

- Repair kit (rubber only)
- OS & Y Gate valve tamper switch (OSY-40)
- Air gap (Model AG)

Features

Sizes:	12"
Maximum working water pressure	175 PSI
Maximum working water temperature	140°F
Hydrostatic test pressure	350 PSI
End connections (Flanged)	ANSI B16.1 Class 125



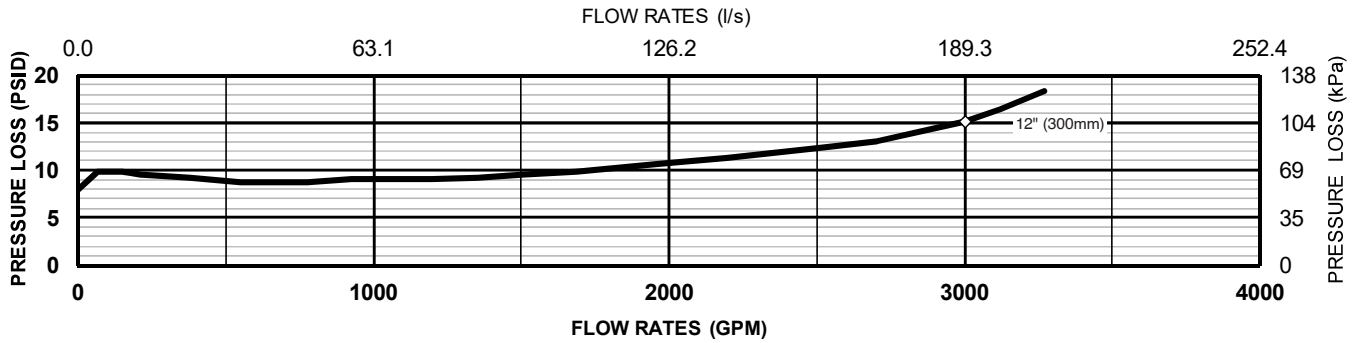
Relief Valve discharge port:

2 1/2" - 6"	-	2.75 sq. in.
8" - 10"	-	3.69 sq. in.
12"	-	5.5 sq. in.

Dimensions & Weights (do not include pkg.)

MODEL 375 SIZE	DIMENSION (approximate)														WEIGHT																
	A		B LESS GATE VALVES		C		D		E OS&Y OPEN		E OS&Y CLOSED		E NRS GATE		F		G		H		LESS SHUT- OFF VALVES		NRS GATE VALVES FLANGED		NRS GATE VALVES GROOVED		OS&Y GATE VALVES FLANGED		OS&Y GATE VALVES GROOVED		
	in.	mm	in.	mm	in.	mm	in.	mm	in.	mm	in.	mm	in.	mm	in.	mm	in.	mm	in.	mm	in.	mm	lbs.	kg	lbs.	kg	lbs.	kg	lbs.	kg	lbs.
12	300	66 1/4	1683	38	965	12	305	10	254	53	1346	40 1/2	1029	28	711	15 3/8	391	16 3/4	425	100	2539	466	211	1512	686	1432	650	1627	738	1547	702

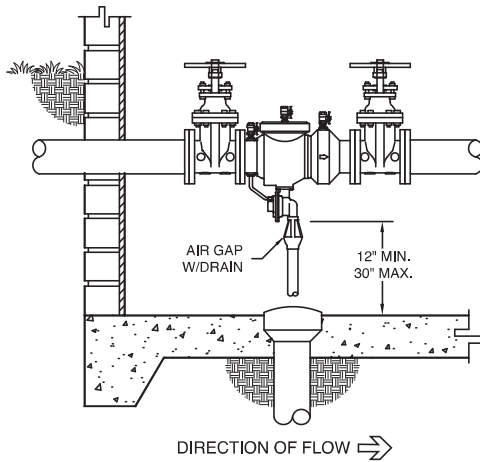
MODEL 375 12" (STANDARD & METRIC)



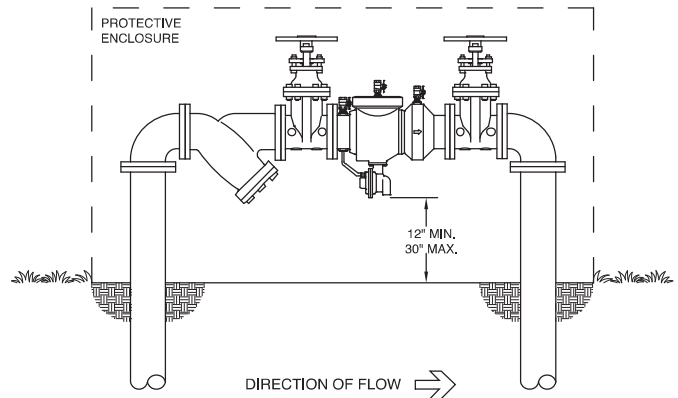
Typical Installation

Local codes shall govern installation requirements. Unless otherwise specified, the assembly shall be mounted at a minimum of 12" (305mm) and a maximum of 30" (762mm) above adequate drains with sufficient side clearance for testing and maintenance. The installation shall be made so that no part of the unit can be submerged.

Capacity thru Schedule 40 Pipe (GPM)				
Pipe size	5 ft/sec	7.5 ft/sec	10 ft/sec	15 ft/sec
2 1/2"	75	112	149	224
3"	115	173	230	346
4"	198	298	397	595
6"	450	675	900	1351
8"	780	1169	1559	2339
10"	1229	1843	2458	3687
12"	1763	2644	3525	5288



INDOOR INSTALLATION



OUTDOOR INSTALLATION

Specifications

The Reduced Pressure Principle Backflow Prevention Assembly shall be supplied with full port gate valves. The main body and access cover shall be epoxy coated ductile iron (ASTM A 536), the seat ring and check valve shall be NORYL™, the stem shall be stainless steel (ASTM A 276) and the seat disc elastomers shall be EPDM. The checks and the relief valve shall be accessible for maintenance without removing the device from the line. The Reduced Pressure Principle Backflow Prevention Assembly shall be a ZURN WILKINS Model 375.