

**Functional
Devices, Inc.**



Functional Devices, Inc.
PO BOX 437
Sharpshville, IN. 46068

Phone 765.883.5538
Fax 765.883.7505

RIBMN24Q3C

Bulletin B919 · 393081B

Green LED On = Power On
Red LED On = Relay Activated

OPEN ENERGY MANAGEMENT EQUIPMENT

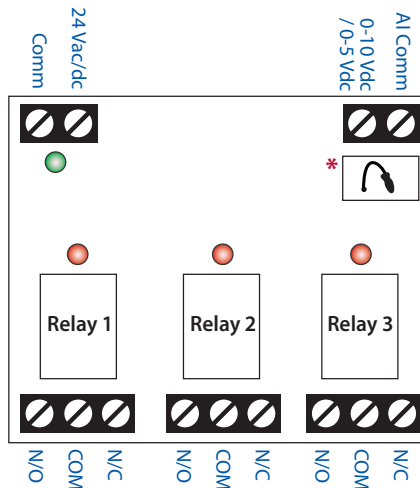
FOR SUPPLY CONNECTIONS USE #14 AWG OR LARGER WIRES RATED AT LEAST 75°C (167°F).

Contact Ratings:

15 Amp General Use @ 125 Vac
10 Amp General Use @ 277 Vac
10 Amp Resistive @ 30 Vdc N/O
7 Amp Resistive @ 30 Vdc N/C
1/2 HP @ 125 Vac
1 HP @ 250 Vac
1/4 HP @ 277 Vac
470 VA Pilot Duty @ 125 Vac
770 VA Pilot Duty @ 250 Vac

Power Input:

24 Vac/dc ; 50-60 Hz
200mA max.



*Must clip resistor in white box for 0-5Vdc.

www.FunctionalDevices.com



RIBMN24Q3C

Truth Table

0-10 Vdc Control Voltage	0-5 Vdc* Control Voltage	Relay 1 Status	Relay 2 Status	Relay 3 Status
0-0.988Vdc	0-0.494Vdc	OFF	OFF	OFF
1.366-2.242Vdc	0.683-1.121Vdc	ON	OFF	OFF
2.620-3.496Vdc	1.310-1.748Vdc	OFF	ON	OFF
3.876-4.752Vdc	1.938-2.376Vdc	ON	ON	OFF
5.130-6.006Vdc	2.565-3.003Vdc	OFF	OFF	ON
6.386-7.262Vdc	3.193-3.631Vdc	ON	OFF	ON
7.640-8.516Vdc	3.820-4.258Vdc	OFF	ON	ON
8.896-10.000Vdc	4.448-5.000Vdc	ON	ON	ON

*Must clip resistor in white box for 0-5Vdc.

Custom Programming Available for Large Orders.