

## AGD4A

Air Gap Drains | For 2-1/2" - 12" Reduced Pressure Backflow Preventers



Job Name:	
Job Location:	
Engineer:	
Contractor:	
Tag:	
PO#:	
Rep.:	
Wholesale Dist.:	

### DESCRIPTION

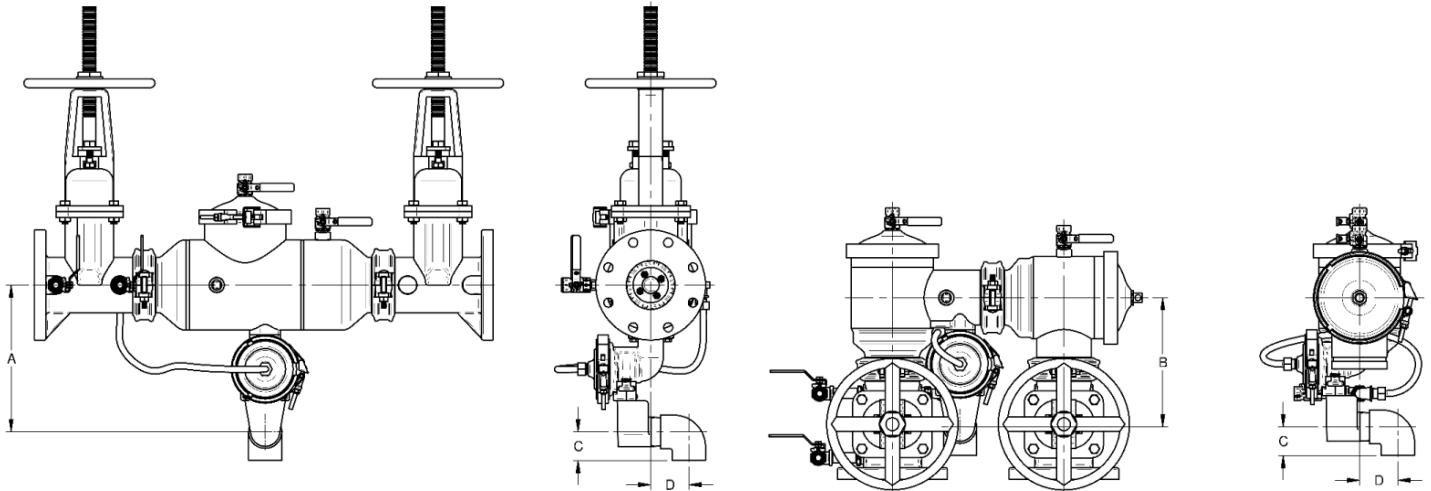
**Apollo® Air Gap Drains (AGD4Ax)** are designed to funnel minor discharges from a Reduced Pressure Backflow Preventer's relief valve due to line pressure fluctuations and/or minor check valve fouling into the drainage system. Drainage piping is easily attached to the threaded portion of the AGD. The female NPT size is listed in the table under "Outlet Connection". Drainage piping may be attached with a coupling and the appropriate cement or with a flexible pipe coupling. Piping compatible with the outlet is listed in the table under "Outlet Pipe Size".

Air Gap Drains are NOT designed to collect the full discharge capacity of the relief valve. Please refer to page 3 for relief valve full discharge rates.

### STANDARD MATERIALS LIST

<b>AGD4A6</b>	ABS and PVC
<b>AGD4A8</b>	ABS
<b>AGD4A12</b>	Epoxy Coated Steel
<b>FASTENERS</b>	Stainless Steel

### AGD4A6 (2-1/2" - 6")

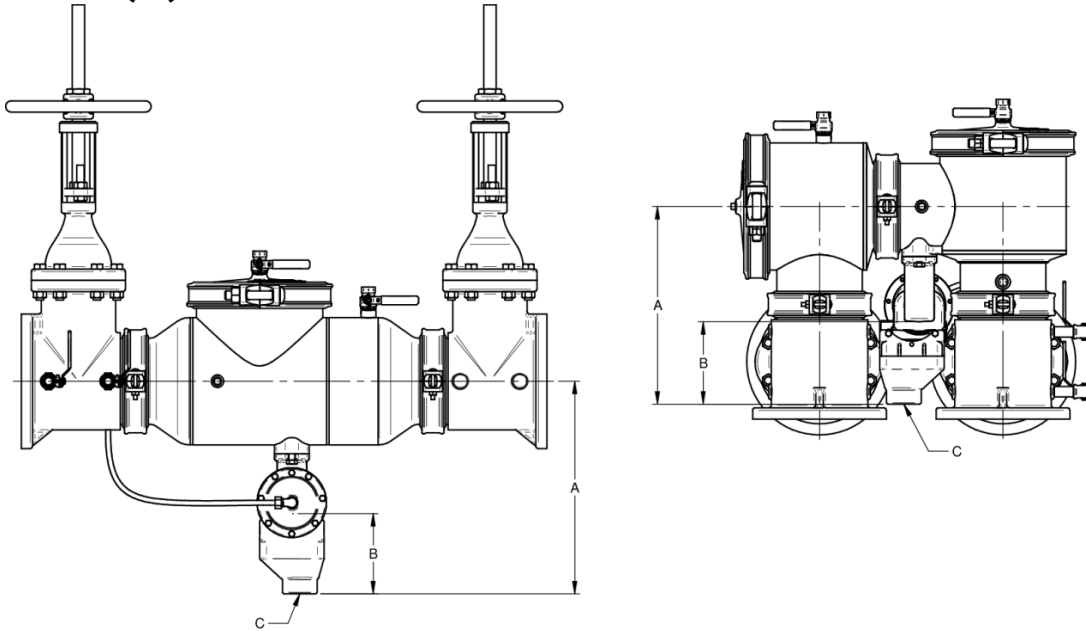


RP SIZE	AIR GAP PART NUMBER	DIMENSIONS (IN.)				OUTLET CONNECTION (FNPT)	WT. (LB.)
		A	B	C	D		
<b>RP4A</b>							
2-1/2"	AGD4A6	11.28	-	2.63	3.13	2"	0.7
3"	AGD4A6	11.28	-	2.63	3.13	2"	0.7
4"	AGD4A6	12.02	-	2.63	3.13	2"	0.7
6"	AGD4A6	13.32	-	2.63	3.13	2"	0.7
<b>RP4AN</b>							
2-1/2"	AGD4A6	-	10.87	2.63	3.13	2"	0.7
3"	AGD4A6	-	10.87	2.63	3.13	2"	0.7
4"	AGD4A6	-	10.51	2.63	3.13	2"	0.7
6"	AGD4A6	-	11.76	2.63	3.13	2"	0.7

## AGD4A

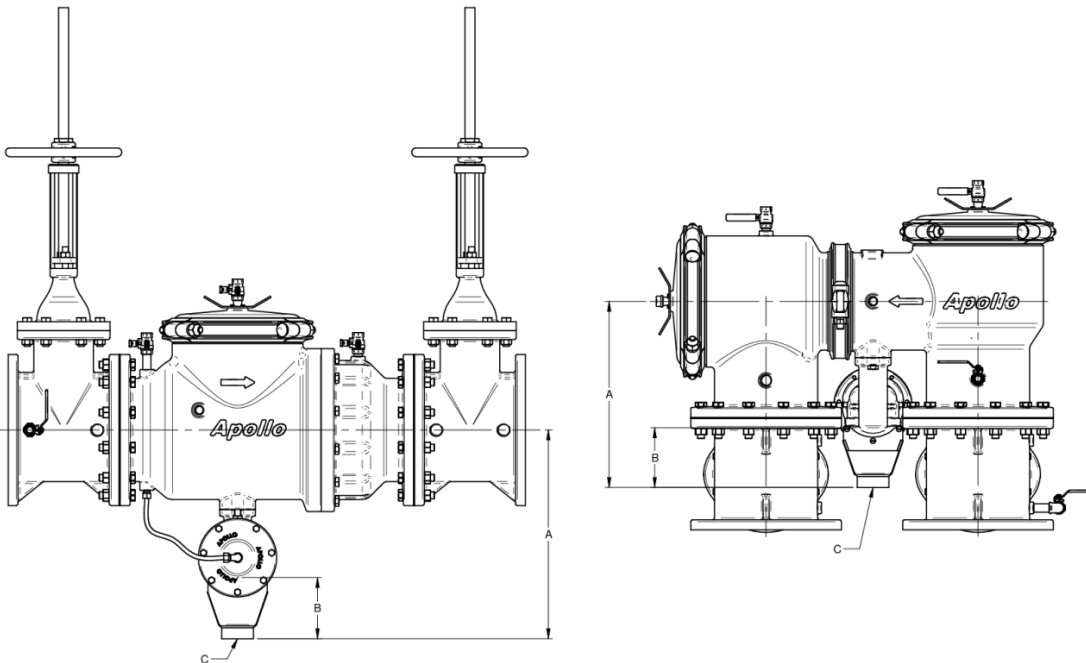
Air Gap Drains | For 2-1/2" - 12" Reduced Pressure Backflow Preventers

### AGD4A8 (8")



RP STYLE	AIR GAP PART NUMBER	DIMENSIONS (IN.)			OUTLET PIPE SIZE	OUTLET CONNECTION (FNPT)	WT. (LB.)
		A	B	C			
RP4A	AGD4A8	21.3	9.1	3"	2-1/2"	1.5	
RP4AN	AGD4A8	19.8	9.1	3"	2-1/2"	1.5	

### AGD4A12 (10" & 12")



RP STYLE	AIR GAP PART NUMBER	DIMENSIONS (IN.)			OUTLET PIPE SIZE	OUTLET CONNECTION (FNPT)	WT. (LB.)
		A	B	C			
RP4A	AGD4A12	26.3	7.7	4"	3"	5	
RP4AN	AGD4A12	23.4	7.7	4"	3"	5	

**RP DISCHARGE RATES**

