

# Installation, Maintenance, and Repair Manual

## Series LF909 Small Reduced Pressure Zone Assemblies

3/4" – 2"

### ⚠ WARNING



Read this Manual **BEFORE** using this equipment. Failure to read and follow all safety and use information can result in death, serious personal injury, property damage, or damage to the equipment. Keep this Manual for future reference.



### ⚠ WARNING

Local building or plumbing codes may require modifications to the information provided. You are required to consult the local building and plumbing codes prior to installation. If this information is not consistent with local building or plumbing codes, the local codes should be followed. This product must be installed by a licensed contractor in accordance with local codes and ordinances.

### ⚠ WARNING

**Need for Periodic Inspection/Maintenance:** This product must be tested periodically in compliance with local codes, but at least once per year or more as service conditions warrant. If installed on a fire suppression system, all mechanical checks, such as alarms and backflow preventers, should be flow tested and inspected in accordance with NFPA 13 and/or NFPA 25. All products must be retested once maintenance has been performed. Corrosive water conditions and/or unauthorized adjustments or repair could render the product ineffective for the service intended. Regular checking and cleaning of the product's internal components helps assure maximum life and proper product function.

### NOTICE

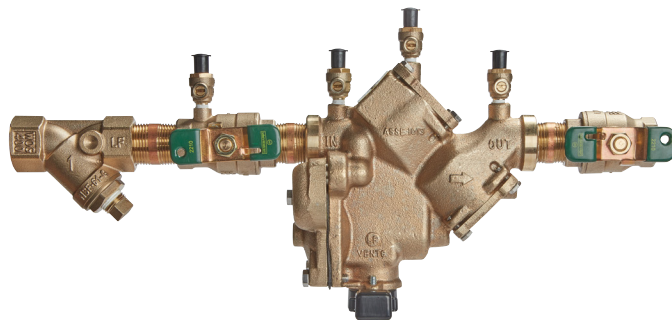
For Australia and New Zealand, line strainers should be installed between the upstream shutoff valve and the inlet of the backflow preventer.

### Testing

For field testing procedure, refer to Watts® installation sheets IS-TK-DL, IS-TK-9A, IS-TK-99E, and IS-TK-99D at watts.com.

For other repair kits and service parts, refer to the Backflow Prevention Products Repair Kits & Service Parts PL-RP-BPD price list at watts.com

For technical assistance, contact your local Watts representative.



LF909-Qt-S-FS

Series LF909 Small includes a sensor on the relief valve to detect excessive discharge and trigger notification of a potential flood event.

### NOTICE

An add-on connection kit is required to activate the flood sensor. Without the connection kit, the flood sensor is a passive component that has no communication with any other device. (A retrofit sensor connection kit is also available for existing installations. See "Add-on and Retrofit Sensor Connection Kits," for ordering details.)

### NOTICE

Use of the flood sensor does not replace the need to comply with all required instructions, codes, and regulations related to installation, operation, and maintenance of this product, including the need to provide proper drainage in the event of a discharge.

Watts is not responsible for the failure of alerts due to connectivity or power issues.

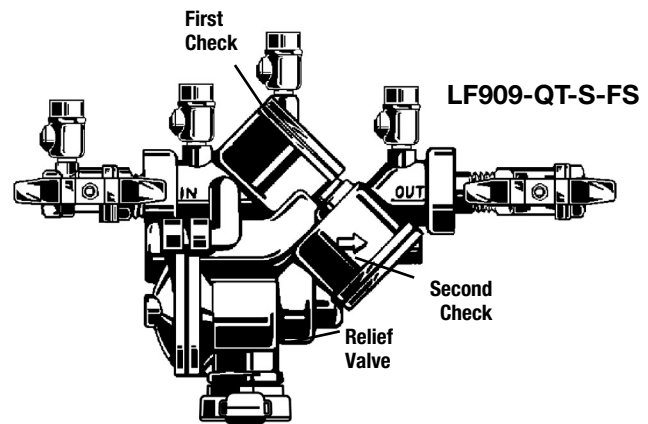
## Installation Guidelines

- Install backflow preventers in high-visibility locations to allow for immediate notice of telltale discharge or other malfunction. This location should also facilitate testing and servicing, and protect against freezing and vandalism.
- Do not install a backflow preventer in a pit or vault. Ensure that all local codes and required safety provisions are met. An air gap below the relief port must be maintained so as to avoid flooding and submersion of the assembly, which may lead to a cross-connection.
- Install a strainer ahead of the backflow preventer to protect all internal components from unnecessary fouling.

### **CAUTION**

Do not install a strainer ahead of the backflow preventer on seldom-used, emergency water lines (such as fire sprinkler lines). The strainer mesh could potentially become clogged with debris present in the water and cause water blockage during an emergency.

- Consider using an air gap and a fabricated indirect waste line to accommodate normal discharge and nuisance spitting. Floor drains of the same size must be provided in case of excessive discharge.
- Determine if a check valve is required ahead of the backflow preventer. When a backflow preventer is installed for dead-end service applications (such as boiler feed lines, cooling tower makeup, or other equipment with periodic flow requirements), discharge from the relief vent may occur due to water supply pressure fluctuation during static no-flow conditions. \*See "Troubleshooting," before installation.
- Observe the direction of the flow arrows on the valve assembly. The backflow preventer is designed so that the critical level of the relief valve is positioned below the first check. This unique feature allows the valve to be installed either vertically or horizontally.
- Follow guidelines for the specific installation option selected, that is, indoor, outside, or parallel. The installation procedure must comply with all state and local codes.
- Before installation, thoroughly flush all pipelines to remove any foreign matter.
- At the start-up of initial installation and after servicing, be sure the downstream shutoff is closed. Slowly open the upstream shutoff and allow the backflow preventer to fill slowly. Bleed air at each test cock. When the backflow preventer is filled, slowly open the downstream shutoff and fill the water supply system. This is necessary to avoid dislodging O-rings or causing damage to internal components.
- Have the backflow preventer examined by a certified tester at the time of installation to ascertain that the assembly is in full working order and that it can be relied upon to protect the safe drinking water as per applicable standards.



# Indoors

## ASSE Approved for vertical installation flow up and down

For indoor installations, the valve must be easily accessible to facilitate testing and servicing. The assembly may be installed either vertically or horizontally. If it is located in a line close to wall, be sure the test cocks are easily accessible. A drain line and air gap should be piped from the relief valve connection as shown, where evidence of discharge is clearly visible and so that water damage can be limited. Therefore, never install the assembly in concealed locations.

**NOTICE**

Test cock must be located on the first or inlet shutoff valve.

For more information on the air gap, download ES-AG/EL/TC at watts.com.

## Outside Building Above Ground

In an area where freezing conditions do not occur, the assembly can be installed outside of a building. The most satisfactory installation is above ground; install in this manner whenever possible.

In an area where freezing conditions can occur, the assembly should be installed above ground in an insulated enclosure.

The assembly may be installed in a vertical or horizontal line and in an accessible location to facilitate testing and servicing. A discharge line should be piped from the air gap at the relief valve connection making sure there is adequate drainage. Never pipe the discharge line directly into a drainage ditch, sewer, or sump. The assembly should never be installed where any part of the unit could become submerged in standing water. Consideration should be given to the installation of external support structure as applicable.

In general, the installation of backflow preventers into pits is not recommended. This type of installation should occur only when absolutely necessary and then only when approved by local codes. In such cases, a modified pit installation is preferred.

## Parallel

**NOTICE**

Consult local codes for approval.

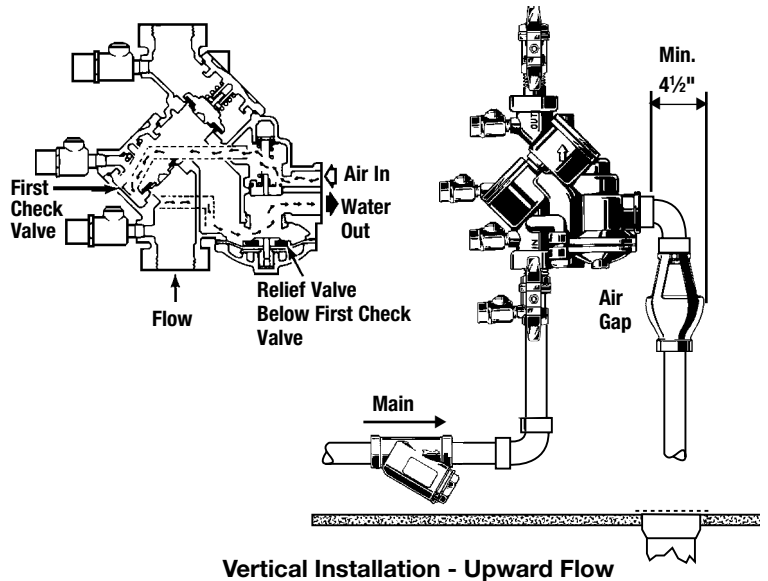
Two or more smaller size valves can be piped in parallel (when approved) to serve a larger supply pipe main. This type of installation is employed where increased capacity is needed beyond that provided by a single valve and permits testing or servicing of an individual valve without shutting down the complete line.

The number of valves used in parallel should be determined by the judgment of the compliance engineer based on the operating conditions of a specific installation.

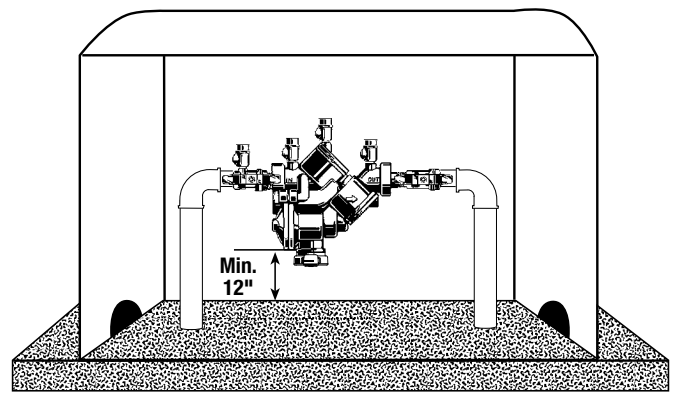
The following table shows the total capacity provided with dual valve installations of various sizes.

| CAPACITY REQUIRED FOR SYSTEM |                |                 |                 |                 |                |
|------------------------------|----------------|-----------------|-----------------|-----------------|----------------|
| 50 gpm                       | 100 gpm        | 150 gpm         | 200 gpm         | 250 gpm         | 350 gpm        |
| Two ¾" Devices               | Two 1" Devices | Two 1¼" Devices | Two 1½" Devices | Two 1½" Devices | Two 2" Devices |

LF909-QT-S

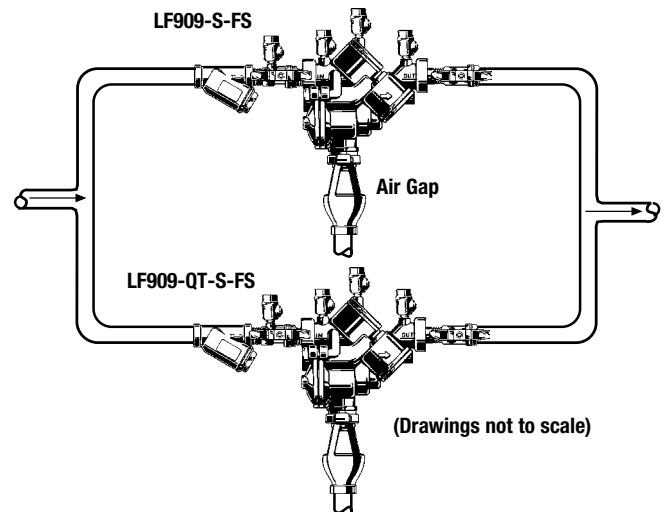


Vertical Installation - Upward Flow



WattsBox Insulated Enclosures

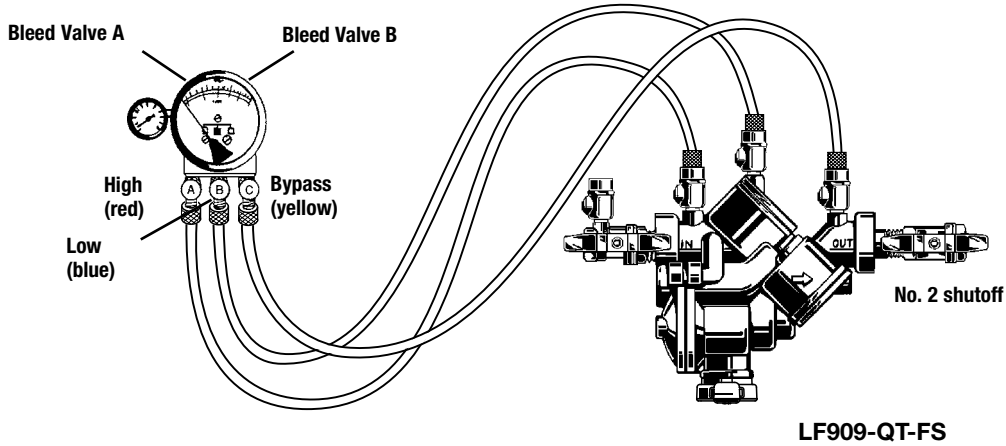
For more information, download ES-WB.



# Test Procedure for Reduced Pressure Assembly

Complete the following actions before starting the test procedures.

- Ensure all needle valves are closed on the test kit.
- Open test cock No. 4 and flush test cocks No. 1, No. 2, and No. 3 on the reduced pressure assembly then close test cock No. 4.
- Attach the hoses as shown in the diagram. Bleed air from the kit then close the No. 2 shutoff.



## Test No. 1 - Check Valve No. 2

**Purpose:** To test check valve No. 2 for tightness against reverse flow.

**Requirements:** The valve must be tight against reverse flow under all pressure differentials.

1. Slowly open the needle valves "A" high (red) and "C" bypass (yellow). Keep the needle valve "B" low (blue) closed.
2. Open test cock No. 4.
3. Observe that the pressure differential decreases slightly. If the pressure differential continues to decrease (until the vent opens), the No. 2 check valve is reported as "leaking."

## Test No. 2 - Shutoff Valve No. 2

**Purpose:** To test shutoff valve No. 2 for tightness.

1. After passing Test No. 1, continue to test No. 2 by closing test cock No. 2.
2. Observe that the pressure differential decreases slightly. If pressure differential continues to decrease (approaching "zero"), the No. 2 shutoff valve is reported to be "leaking."

### NOTICE

A leaking No. 2 shutoff always gives a false reading in tests No. 3 and 4.

## Test No. 3 - Check Valve No. 1

**Purpose:** To test check valve No. 1 for tightness.

**Requirements:** The valve must be tight against reverse flow under all pressure differentials.

1. Close needle valve A high (red) and open test cock No. 2.
2. Close test cock No. 4. Disconnect the bypass hose (yellow) at test cock No. 4.
3. Open needle valves B low (blue) and C bypass (yellow), bleeding to atmosphere. Then close needle valve B (blue) to restore the system to a normal static condition.
4. Observe the pressure differential gauge. If there is a decrease in the indicated value, the No. 1 check valve is reported as "leaking."

## Test No. 4 - Pressure Differential Relief Valve

**Purpose:** To test operation of pressure differential relief valve.

**Requirements:** The pressure differential relief valve must operate to maintain the "zone" between the two check valves at least 2 psi less than the supply pressure.

1. Close needle valve C bypass (yellow).
2. Open needle valve A high (red).
3. Open needle valve B low (blue) very slowly until the differential gauge needle starts to drop.
4. Hold the valve at this position and observe the gauge reading at the moment the first discharge is noted from the relief valve. Record this as the opening differential pressure of the relief valve.

### NOTICE

The differential gauge needle must drop slowly. This is important to maintain stability.

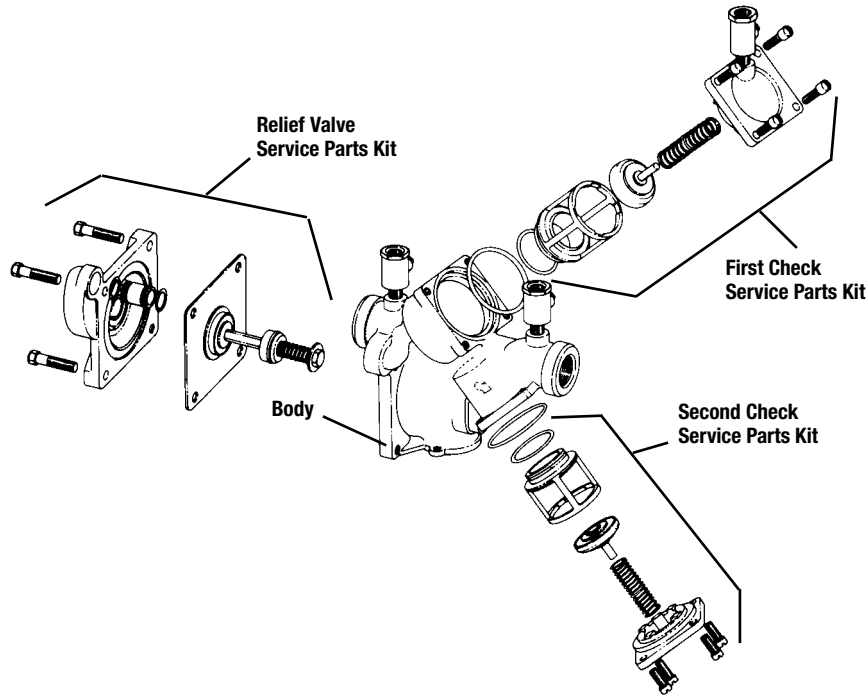
5. Close test cocks No. 2 and No. 3. Remove the hoses from test cocks No. 2 and No. 3.
6. Use the bypass hose (yellow) to relieve pressure from the test kit by opening needle valves A, B, and C and bleeding valves A and B.
7. Remove all test equipment and open No. 2 shutoff.

### CAUTION

To prevent freezing, hold the test kit vertically to drain the differential gauge and hoses before placing the kit in the case.

For additional testing information, refer to IS-TK-DL, IS-TK-9A, IS-TK-99E, or IS-TK-99D.

# Servicing First and Second Check Valves

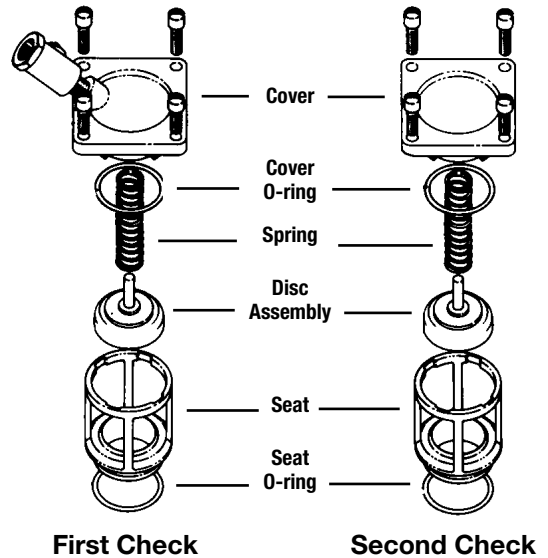


## NOTICE

No special tools are required to service the check valves.

1. Remove the four screws holding the first check valve cover.
2. Lift off the first check valve cover. The check valve comes out with the cover and is attached with a bayonet type locking arrangement.
3. Holding the check valve module in both hands, rotate the assembly quarter turn. This disengages the disc assembly, spring, and seat cover into individual components.
4. Clean and reassemble the disc assembly or, depending upon its condition, discard and replace it with a new assembly from the service kit. O-rings should be cleaned or replaced as necessary and lightly greased with the FDA Approved silicon grease which is also furnished with the service kit.
5. Reassemble the check valve module in the reverse order. Service is identical for both the first and the second check valves.

For further details contact your local technical sales representative.



## NOTICE

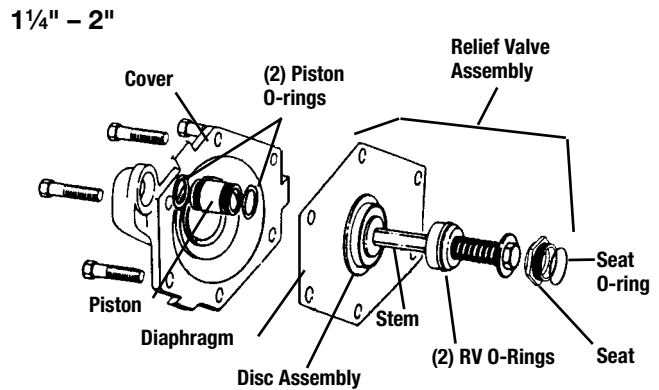
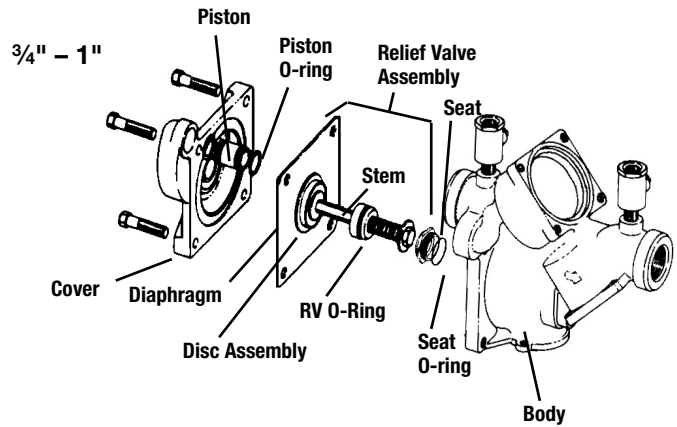
The springs and covers of the first and second check valves are not interchangeable. The heavier spring loaded module should be in the first check and the lighter in the second check module.

# Servicing the Relief Valve

## NOTICE

The spring tension in the relief valve assembly is contained in the design of the relief valve; therefore, the relief can be removed in a one-piece spool-type assembly.

1. Detach the activation module, if installed, from the flood sensor then remove the sensor from the relief valve.
2. Remove the four bolts that hold the relief valve cover in place.
3. Remove the cover. The stainless steel adapter (or piston) with O-ring attached is also removed with the cover.
4. Pull out the relief valve assembly.
5. Clean the relief valve seat and disc without disassembling the relief valve assembly. If the relief valve diaphragm, the disc, or both need replacement, disassemble the relief valve module. No special tools are required.

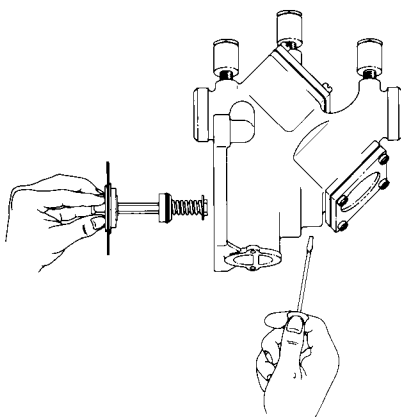


## Reassembling the Relief Valve

Much care is required to put the relief valve assembly back together. Follow the instructions closely to prevent any damage to the stem.

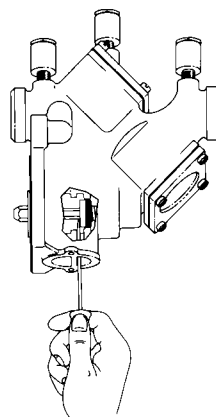
## CAUTION

If the relief valve cover does not press against the body, the assembly is crooked. Tightening the bolts in this instance causes the stem to bend. Do not force the cover into place; misalignment causes damage.



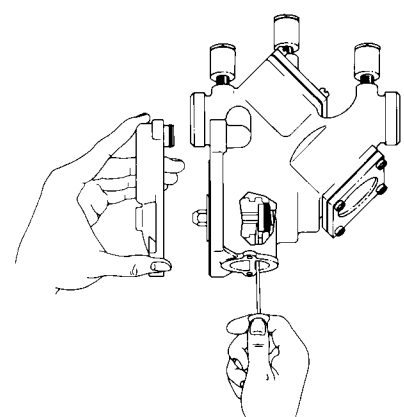
**Figure 1**

Have a screwdriver handy to reassemble the relief valve assembly.



**Figure 2**

Depress the assembly, carefully guiding it against the 2 pound spring load. When properly aligned, the piston is in the cylinder bore. Insert the screwdriver along the right channel wall, positioning the screwdriver tip to the left of the relief valve O-rings to hold the assembly in place.






**Figure 3**

Let go of the screwdriver and use both hands to reattach the cover. Insert two bolts 180 degrees apart and fasten to hold the cover in place. Insert the two remaining bolts and fasten by alternating one to the other until the cover is secure. Remove the screwdriver. Reattach the flood sensor to the relief valve and mount the activation module to the sensor.




# Troubleshooting

| PROBLEM   | CAUSE   | SOLUTION  |
|---|---|---|
| Valve spits periodically from the vent.                           | Fluctuating supply pressure.  | Install a soft seated check valve immediately upstream of the device.   |
|   | Fluctuating downstream pressure.  | Install a soft seated check valve downstream of the device, as close as possible to the shutoff valve.  |
| Valve drips continually from the vent.                            | Fouled first check.   | Flush valve. If flushing does not resolve problem, disassemble valve and clean or replace the first check.  |
|   | Damaged or fouled relief valve seat.  | Clean or replace the relief valve seat.   |
|   | Relief valve piston O-ring not free to move due to pipe scale, dirt, or build up of mineral deposits. | Clean, grease, or replace the piston O-ring.  |
|   | Excessive back pressure, freezing, or water hammer has distorted the second check.                    | Eliminate source of excessive backpressure or water hammer in the system downstream of the device. Use Watts No. 15 to eliminate water hammer. Replace defective second check assembly.<br>In case of freezing, thaw, disassemble, and inspect internal components.<br>Replace as necessary.                                  |
|   | Electrolysis or relief valve seat or first check seats.   | Replace relief valve seat or inlet cover.<br>Electrically ground the piping system and/or electrically isolate the device with plastic pipe immediately upstream and downstream of the device.  |
|   | Valve improperly reassembled.   | If valve is disassembled during installation, exercise caution when reinstalling check springs in their proper location.  |
| Valve exhibits high pressure drop.                                | Fouled strainer.  | Clean strainer element or replace.  |
|   | Valve too small for flows encountered.  | Install proper size device based upon flow requirements.  |
| No water flows downstream of valve.                               | Valve installed backward.   | Install valve in accordance with flow direction arrow.  |
| Valve does not test properly.                                     | Manufacturer's test procedure not followed.   | Clean or replace gate valve with full port ball valves or resilient wedge shutoff valves.   |
|   | Leaky downstream gate valve.  |   |
| Valve quickly and repeatedly fouls following servicing.           | Debris in pipeline is too fine to be trapped by strainer.   | Install finer mesh strainer element in the strainer.  |
| Performance of backflow preventers affected during winter season. | Cold temperatures.  | Electric heat-tape wrap closely together around the valve body. Build a small shelter around the valve with a large light bulb installed and left on at all times.<br>If the supply line is not used during the winter, removal of the complete body is the best. This creates an air gap to eliminate any possible backflow. |

## Add-on and Retrofit Sensor Connection Kits for Building Management Systems

| ORDERING CODE | ADD-ON/RETROFIT KIT  | DESCRIPTION  |
|---------------|--|--|
| 88003056      |  FP-BF-BMS<br>BMS Sensor Connection Kit<br>Series LF909 Small<br>Sizes ¾" to 2"                   | Includes sensor activation module with cable, ground wire, and power adapter. Use this kit to activate the flood sensor and enable flood detection capabilities on the relief valve of a new installation working with a BMS controller (not included).                                    |
| 88003058      |  FP-RFK-BF-BMS-CFS<br>BMS Sensor Retrofit Connection Kit<br>Series LF909 Small<br>Sizes ¾" to 1"  | Includes flood sensor, sensor activation module with cable, mounting bolts, ground wire, and power adapter. Use this kit to install the flood sensor and enable flood detection capabilities on the relief valve of an existing installation working with a BMS controller (not included). |
| 88003059      |  FP-RFK-BF-BMS-CFS<br>BMS Sensor Retrofit Connection Kit<br>Series LF909 Small<br>Sizes 1¼" to 2" | Includes flood sensor, sensor activation module with cable, mounting bolts, ground wire, and power adapter. Use this kit to install the flood sensor and enable flood detection capabilities on the relief valve of an existing installation working with a BMS controller (not included). |

## Add-on and Retrofit Sensor Connection Kits for Cellular Communication

| ORDERING CODE | ADD-ON/RETROFIT KIT   | DESCRIPTION  |
|---------------|---|--|
| 88003060      |  FP-BF-CFS<br>Cellular Sensor Connection Kit<br>Series LF909 Small<br>Sizes ¾" to 2"               | Includes sensor activation module with cable, Cellular Gateway with mounting kit, ground wire, and power adapter. Use this kit to activate the flood sensor and enable flood detection capabilities on the relief valve of a new installation working with cellular communication to send alerts by email message, SMS text message, or voice call.                                    |
| 88003062      |  FP-RFK-BF-CFS<br>Cellular Sensor Retrofit Connection Kit<br>Series LF909 Small<br>Sizes ¾" to 1" | Includes flood sensor, sensor activation module with cable, Cellular Gateway with mounting kit, mounting bolts, ground wire, and power adapter. Use this kit to install the flood sensor and enable flood detection capabilities on the relief valve of an existing installation working with cellular communication to send alerts by email message, SMS text message, or voice call. |
| 88003063      |  FP-RFK-BF<br>Cellular Sensor Retrofit Connection Kit<br>Series LF909 Small<br>Sizes 1¼" to 2"   | Includes flood sensor, sensor activation module with cable, Cellular Gateway with mounting kit, mounting bolts, ground wire, and power adapter. Use this kit to install the flood sensor and enable flood detection capabilities on the relief valve of an existing installation working with cellular communication to send alerts by email message, SMS text message, or voice call. |

**Limited Warranty:** Watts (the "Company") warrants each product to be free from defects in material and workmanship under normal usage for a period of one year from the date of original shipment. In the event of such defects within the warranty period, the Company will, at its option, replace or recondition the product without charge.

**THE WARRANTY SET FORTH HEREIN IS GIVEN EXPRESSLY AND IS THE ONLY WARRANTY GIVEN BY THE COMPANY WITH RESPECT TO THE PRODUCT. THE COMPANY MAKES NO OTHER WARRANTIES, EXPRESS OR IMPLIED. THE COMPANY HEREBY SPECIFICALLY DISCLAIMS ALL OTHER WARRANTIES, EXPRESS OR IMPLIED, INCLUDING BUT NOT LIMITED TO THE IMPLIED WARRANTIES OF MERCHANTABILITY AND FITNESS FOR A PARTICULAR PURPOSE.**

The remedy described in the first paragraph of this warranty shall constitute the sole and exclusive remedy for breach of warranty, and the Company shall not be responsible for any incidental, special or consequential damages, including without limitation, lost profits or the cost of repairing or replacing other property which is damaged if this product does not work properly, other costs resulting from labor charges, delays, vandalism, negligence, fouling caused by foreign material, damage from adverse water conditions, chemical, or any other circumstances over which the Company has no control. This warranty shall be invalidated by any abuse, misuse, misapplication, improper installation or improper maintenance or alteration of the product.

Some States do not allow limitations on how long an implied warranty lasts, and some States do not allow the exclusion or limitation of incidental or consequential damages. Therefore the above limitations may not apply to you. This Limited Warranty gives you specific legal rights, and you may have other rights that vary from State to State. You should consult applicable state laws to determine your rights. **SO FAR AS IS CONSISTENT WITH APPLICABLE STATE LAW, ANY IMPLIED WARRANTIES THAT MAY NOT BE DISCLAIMED, INCLUDING THE IMPLIED WARRANTIES OF MERCHANTABILITY AND FITNESS FOR A PARTICULAR PURPOSE, ARE LIMITED IN DURATION TO ONE YEAR FROM THE DATE OF ORIGINAL SHIPMENT.**



USA: T: (978) 689-6066 • Watts.com

Canada: T: (888) 208-8927 • Watts.ca

Latin America: T: (52) 55-4122-0138 • Watts.com





# Manuel d'installation, de maintenance et de réparation

## Série LF909 – Petit

### Ensembles pour zones à pression réduite

¾ po à 2 po (1,9 cm à 5,1 cm)

#### ⚠ AVERTISSEMENT



**Veillez lire ce manuel AVANT d'utiliser cet équipement. Le fait de ne pas lire et de ne pas respecter toutes les informations relatives à la sécurité et à l'utilisation peut entraîner la mort, des blessures graves, des dégâts matériels ou des dommages à l'équipement. Conservez ce manuel pour toute référence ultérieure.**

**LA SÉCURITÉ  
AVANT  
TOUT**

#### ⚠ AVERTISSEMENT

Il se peut que les codes du bâtiment ou de plomberie locaux nécessitent des modifications aux informations fournies. Vous êtes tenu de consulter les codes du bâtiment et de plomberie locaux avant l'installation. Si ces informations ne sont pas conformes avec les codes du bâtiment et de plomberie locaux, les codes locaux ont préséance. Ce produit doit être installé par un entrepreneur autorisé et respecter les codes et les ordonnances locaux.

#### ⚠ AVERTISSEMENT

##### **Besoin d'une inspection et d'une maintenance périodique :**

Ce produit doit être testé périodiquement, conformément aux codes locaux, au moins une fois par an ou plus selon les conditions de service. S'il est installé sur un système d'extinction d'incendie, toutes les vérifications mécaniques, p. ex. les alarmes et les dispositifs anti-refoulement, doivent inclure une inspection et un test de débit en accord avec les normes NFPA 13 et/ou NFPA 25. Tous les produits doivent être testés à nouveau une fois la maintenance terminée. Des conditions d'eau corrosive et des réglages ou des réparations non autorisés peuvent rendre le produit inefficace pour le service prévu. Une vérification et un nettoyage réguliers des composants internes du produit peuvent prolonger la durée de vie maximale du produit et son bon fonctionnement.

#### **AVIS**

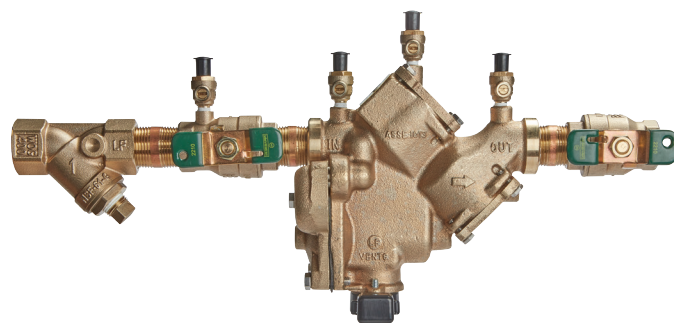
En Australie et en Nouvelle-Zélande, les crépines de conduite doivent être installées entre le robinet d'arrêt en amont et l'entrée du dispositif de prévention anti-refoulement.

#### **Essai**

Pour la procédure d'essai sur le terrain, consultez les fiches d'installation de Watts® IS-TK-DL, IS-TK-9A, IS-TK-99E et IS-TK-99D sur [watts.com](http://watts.com).

Pour les autres trousse de réparation et pièces de rechange, reportez-vous à notre liste de prix des trousse de réparation et des pièces de rechange pour les produits de prévention anti-refoulement PL-RP-BPD sur le site [watts.com](http://watts.com).

Pour le soutien technique, veuillez communiquer avec votre représentant Watts local.



**LF909-QT-S-FS**

La série LF909 (petit) comprend un capteur sur la soupape de décharge pour détecter une évacuation excessive et déclencher une notification d'un événement d'inondation potentiel.

#### **AVIS**

Une trousse de raccordement supplémentaire est nécessaire pour activer le capteur d'inondation. Sans la trousse de raccordement, le capteur d'inondation est un composant passif qui ne communique avec aucun autre appareil. (Une trousse de raccordement de modernisation de capteur est également disponible pour les installations existantes. Voir « Trousse de connexion de capteur complémentaire et de modernisation » pour les détails de commande.)

#### **AVIS**

L'utilisation du capteur d'inondation ne remplace pas le besoin de se conformer à toutes les instructions, à tous les codes et à toute la réglementation requis liés à l'installation, au fonctionnement et à la maintenance de ce produit, y compris le besoin d'assurer un drainage approprié en cas d'évacuation.

Watts n'est pas responsable de la défaillance des alertes en raison de problèmes de connectivité ou d'alimentation.

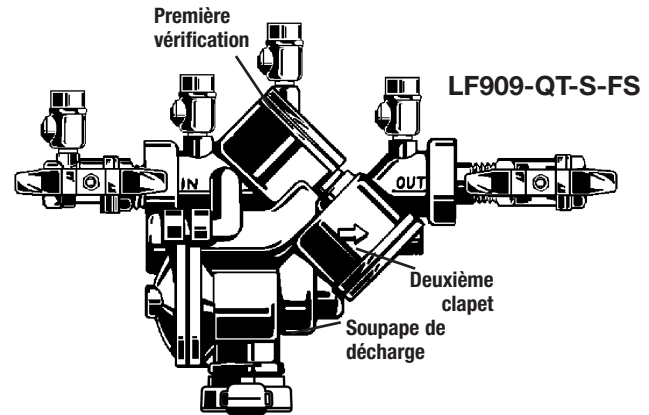
## Directives d'installation

- Installez les dispositifs anti-refoulement à des emplacements stratégiques en termes de visibilité afin d'être avisé d'une évacuation ou d'un autre dysfonctionnement. Ces emplacements doivent être d'accès facile pour les tests et les réparations et faire l'objet d'une protection contre le gel et le vandalisme.
- N'installez pas un dispositif anti-refoulement dans une fosse ou une voûte. Assurez-vous que tous les codes locaux et les dispositions de sécurité requises sont respectés. Il convient de maintenir un passage d'air en dessous de l'ouverture pour éviter une inondation et l'immersion de l'ensemble, pouvant mener à une interconnexion.
- Installez une crépine devant le dispositif anti-refoulement pour protéger tous les composants internes contre l'encrassement inutile.

### **⚠ MISE EN GARDE**

Prenez soin de ne pas installer de crépine en amont du dispositif anti-refoulement sur les conduites d'eau pour les cas d'urgence et, de ce fait, rarement utilisées (comme les conduites de gicleur d'incendie). Les débris présents dans l'eau pourraient potentiellement obstruer les mailles de la crépine avec, pour conséquence l'impossibilité pour l'eau de passer pendant une urgence.

- Envisagez l'utilisation d'un passage d'air et d'une conduite de déchets indirects fabriquée pour s'adapter aux évacuations, aux nuisances et aux rejets ordinaires. Il est impératif d'installer des avaloirs de sol de même taille en cas d'évacuation excessive.
- Déterminez si un clapet antiretour est requis avant le dispositif anti-refoulement. Quand un dispositif anti-refoulement s'applique à des applications de service en bout de conduite (c.-à-d. conduites d'alimentation de chaudière, eau d'appoint d'une tour de refroidissement et autre équipement avec exigences de débit périodique), une évacuation du tuyau de ventilation d'équilibrage peut survenir en raison d'une variation de la pression d'alimentation du réseau d'eau dans des conditions sans débit statiques. Avant l'installation, consultez la section « Dépannage ».
- Observez la direction des flèches de débit sur l'ensemble de vanne. Le dispositif anti-refoulement est conçu de manière à ce que le niveau critique de la soupape de décharge soit placé sous le premier clapet. Cette caractéristique unique permet d'installer la vanne verticalement ou horizontalement.
- Suivez les consignes pour l'option d'installation spécifique sélectionnée, c'est-à-dire, à l'intérieur, à l'extérieur ou en parallèle. La procédure d'installation doit être conforme à tous les codes provinciaux et locaux.
- Avant l'installation, rincer soigneusement toutes les conduites pour éliminer toute matière étrangère.
- Au démarrage de l'installation initiale et après la maintenance, assurez-vous que l'arrêt en aval est fermé. Ouvrez lentement le robinet d'arrêt en aval et laissez le dispositif anti-refoulement se remplir peu à peu. Purgez l'air à chaque robinet d'essai. Quand le dispositif anti-refoulement est plein, ouvrez lentement le robinet d'arrêt en amont et remplissez le système d'alimentation d'eau. Vous devez impérativement procéder ainsi pour éviter de déloger les joints toriques ou d'endommager les composants internes.
- Faites examiner le dispositif anti-refoulement par un testeur certifié au moment de l'installation pour vous assurer que l'ensemble est en parfait état de fonctionnement et qu'il peut être utilisé pour protéger l'eau potable conformément aux normes applicables.



# À l'intérieur

## Approuvé ASSE pour une installation verticale de débit haut et bas

Pour les installations intérieures, la vanne doit être facilement accessible pour faciliter les essais et la maintenance. L'ensemble peut être installé verticalement ou horizontalement. S'il est situé dans une conduite près du mur, assurez-vous que les robinets d'essai sont facilement accessibles. Une conduite de vidange et un passage d'air doivent être raccordés à partir du raccord de la soupape de décharge, comme illustré, où les preuves d'évacuation sont clairement visibles et de sorte que les dégâts d'eau puissent être limités. Par conséquent, n'installez jamais l'ensemble dans des emplacements dissimulés.

### AVIS

Le robinet d'essai doit être situé sur la première vanne d'arrêt ou sur le robinet d'arrêt d'entrée.

Pour plus d'informations sur le passage d'air, téléchargez ES-AG/EL/TC à l'adresse [watts.com](http://watts.com).

## Bâtiment extérieur au-dessus du sol

Dans une zone où il n'y a pas de conditions de gel, l'ensemble peut être installé à l'extérieur d'un bâtiment. L'installation la plus satisfaisante est au-dessus du sol; installez de cette manière dans la mesure du possible.

Dans une zone où des conditions de gel peuvent se produire, l'ensemble doit être installé au-dessus du sol dans une enceinte isolée.

L'ensemble peut être installé sur une conduite verticale ou horizontale et dans un emplacement accessible pour faciliter les essais et la maintenance. Une conduite d'évacuation doit être raccordée à partir du passage d'air au raccord de la soupape de décharge en s'assurant qu'il y a un drainage adéquat. N'acheminez jamais la conduite d'évacuation directement dans un fossé de drainage, un égout ou un puisard. L'ensemble ne doit jamais être installé à un emplacement où une partie de l'unité pourrait être submergée dans l'eau stagnante. Il faut tenir compte de l'installation d'une structure de soutien externe, le cas échéant.

En général, l'installation de dispositifs anti-refoulement dans les fosses n'est pas recommandée. Ce type d'installation ne doit avoir lieu que lorsque cela est absolument nécessaire, puis seulement lorsque cela est approuvé par les codes locaux. Dans de tels cas, une installation en fosse modifiée est préférable.

## En parallèle

### AVIS

Consultez les codes locaux pour obtenir l'approbation.

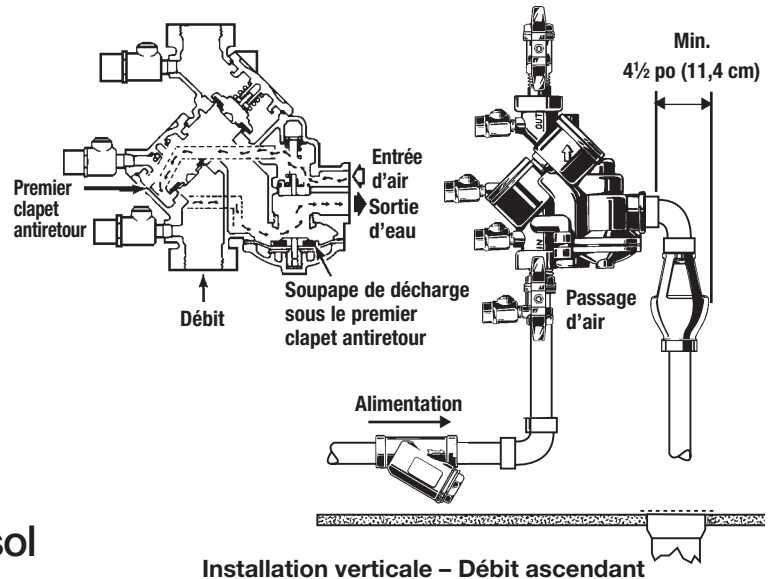
Il est possible de raccorder deux vannes ou plus de plus petite taille en parallèle (sous réserve d'une approbation) pour gérer un plus gros tuyau d'alimentation. Ce type d'installation existe quand il est nécessaire d'avoir une plus grande capacité que celle assurée par un robinet unique et permet le test et la maintenance d'un robinet individuel sans avoir à fermer tout le système d'alimentation.

Le nombre de vannes utilisées en parallèle doit être déterminé par le jugement de l'ingénieur de conformité en fonction des conditions de fonctionnement d'une installation spécifique.

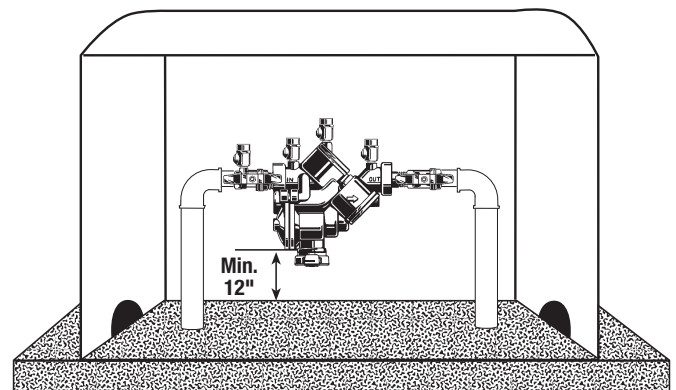
Le tableau suivant montre la capacité totale proposée avec des installations à double vanne de tailles variées.

| CAPACITÉ REQUISE POUR LE SYSTÈME  |                                   |                                    |                                    |                                    |                                   |
|-----------------------------------|-----------------------------------|------------------------------------|------------------------------------|------------------------------------|-----------------------------------|
| 50 gal/min<br>(189 l/min)         | 100 gal/min<br>(379 l/min)        | 150 gal/min<br>(568 l/min)         | 200 gal/min<br>(757 l/min)         | 250 gal/min<br>(946 l/min)         | 350 gal/min<br>(1 325 l/min)      |
| Deux dispositifs de ¾ po (1,9 cm) | Deux dispositifs de 1 po (2,5 cm) | Deux dispositifs de 1¼ po (3,2 cm) | Deux dispositifs de 1½ po (3,8 cm) | Deux dispositifs de 1½ po (3,8 cm) | Deux dispositifs de 2 po (5,1 cm) |

LF909-QT-S

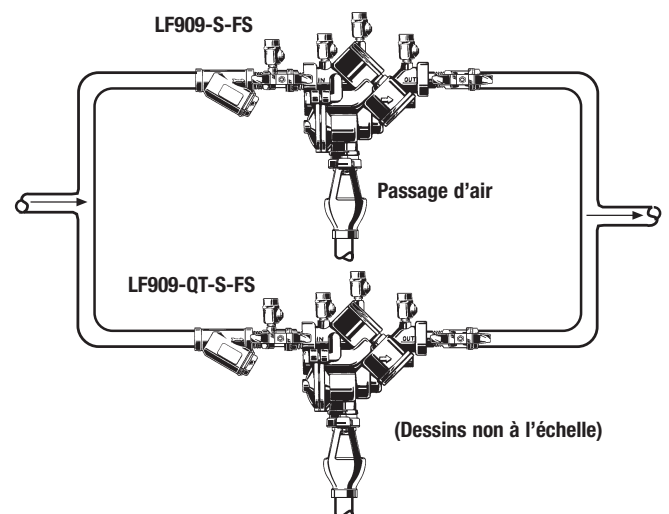


Installation verticale – Débit ascendant



WattsBox Insulated Enclosures

For more information, download ES-WB.

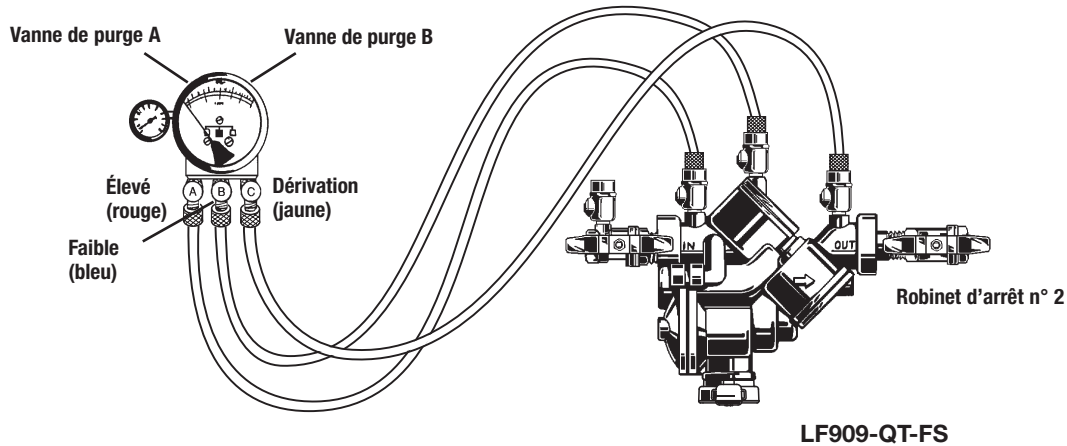


(Dessins non à l'échelle)

# Procédure de test pour les ensembles à pression réduite

Effectuez les actions suivantes avant de commencer les procédures d'essai.

- Assurez-vous que tous les robinets à pointeau sont fermés sur la trousse d'essai.
- Ouvrez le robinet d'essai n° 4 et rincez les robinets d'essai n° 1, n° 2 et n° 3 sur l'ensemble à pression réduite, puis fermez le robinet d'essai n° 4.
- Fixez les tuyaux, comme illustré sur le schéma. Purgez l'air de la trousse, puis fermez le robinet d'arrêt n° 2.



## Test n° 1 – Clapet antiretour n° 2

**Objectif :** Tester l'étanchéité du clapet antiretour n° 2 en cas de flux inversé.

**Exigences :** La vanne doit être étanche au flux inversé, quelle que soit la différence de pression.

1. Ouvrez lentement les robinets à pointeau « A » haut (rouge) et de dérivation « C » (jaune). Gardez le robinet à pointeau « B » bas (bleu) fermé.
2. Ouvrez le robinet d'essai n° 4.
3. Remarquez que le différentiel de pression diminue légèrement. Si la différence de pression continue de diminuer (jusqu'à l'ouverture de la ventilation), le clapet antiretour n° 2 est considéré comme « faisant l'objet d'une fuite ».

## Test n° 2 – Robinet d'arrêt n° 2

**Objectif :** Tester l'étanchéité du robinet d'arrêt n° 2.

1. Une fois le test n° 1 réussi, continuez au test n° 2 en fermant le robinet d'essai n° 2.
2. Remarquez que le différentiel de pression diminue légèrement. Si le différentiel de pression continue de diminuer (approchant « zéro »), le robinet d'arrêt n° 2 est considéré comme « faisant l'objet d'une fuite ».

### AVIS

Un robinet d'arrêt n° 2 faisant l'objet d'une fuite donne toujours une fausse lecture dans les tests n° 3 et 4.

## Test n° 3 – Clapet antiretour n° 1

**Objectif :** Tester l'étanchéité du clapet antiretour n° 1.

**Exigences :** La vanne doit être étanche au flux inversé, quelle que soit la différence de pression.

1. Fermez le robinet à pointeau A haut (rouge) et ouvrez le robinet d'essai n° 2.
2. Fermez le robinet d'essai n° 4. Débranchez le tuyau de dérivation (jaune) au robinet d'essai n° 4.
3. Ouvrez les robinets à pointeau B bas (bleu) et de dérivation C (jaune), purgeant dans l'atmosphère. Fermez ensuite le robinet

à pointeau B (bleu) pour rétablir l'état statique normal du système.

4. Remarquez le différentiel de pression sur la jauge. Si la valeur indiquée a diminué, le clapet antiretour n° 1 est considéré comme « faisant l'objet d'une fuite ».

## Test n° 4 – Soupape de décharge de pression différentielle

**Objectif :** Tester le fonctionnement de la soupape de décharge de pression différentielle.

**Exigences :** La soupape de décharge de pression différentielle doit fonctionner pour maintenir la « zone » entre les deux clapets antiretour au moins 2 psi en dessous de la pression d'alimentation.

1. Fermez le robinet à pointeau de dérivation C (jaune).
2. Ouvrez le robinet à pointeau A haut (rouge).
3. Ouvrez très lentement le robinet à pointeau B bas (bleu) jusqu'à ce que le pointeau de la jauge différentielle commence à chuter.
4. Tenez la vanne dans cette position et observez la lecture de la jauge au moment de la première évacuation de la soupape de décharge. Consignez ceci comme la pression différentielle initiale de la soupape de décharge.

### AVIS

Le pointeau de la jauge différentielle doit chuter lentement. Cela est important pour maintenir la stabilité.

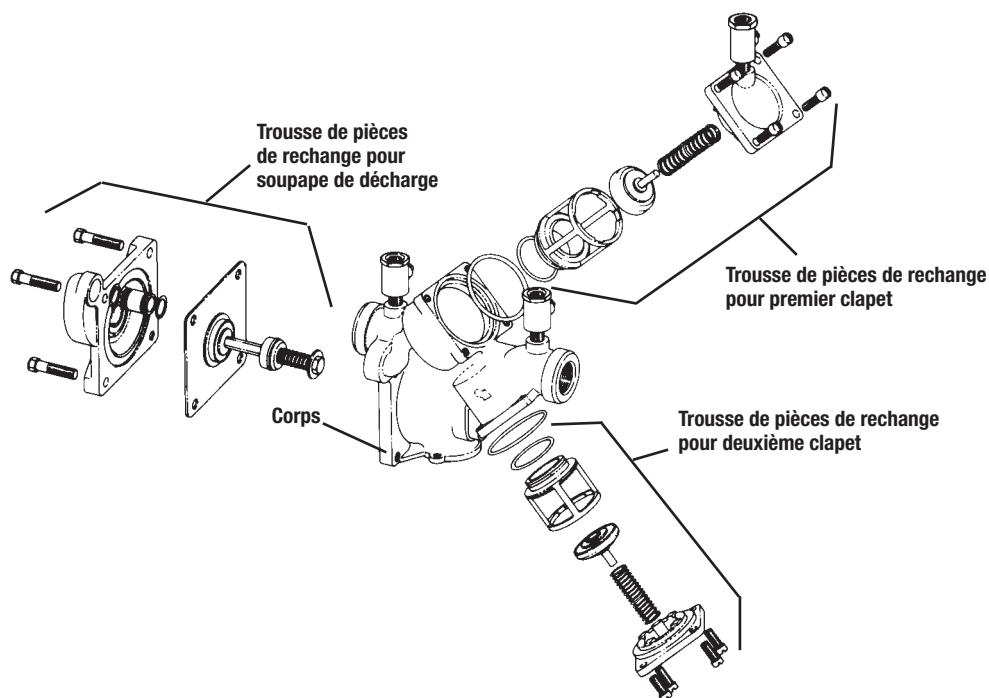
5. Fermez les robinets d'essai n° 2 et n° 3. Retirez les tuyaux des robinets d'essai n° 2 et n° 3.
6. Utilisez le tuyau de dérivation (jaune) pour relâcher la pression de la trousse d'essai en ouvrant les robinets à pointeau A, B et C et les vannes de purge A et B.
7. Retirez tout l'équipement d'essai et ouvrez le robinet d'arrêt n° 2.

### ⚠ MISE EN GARDE

Pour éviter le gel, tenez la trousse d'essai verticalement pour vidanger la jauge différentielle et les tuyaux avant de placer la trousse dans le boîtier.

Pour de plus amples renseignements sur les tests, consultez les fiches d'installation IS-TK-DL, IS-TK-9A, IS-TK-99E ou IS-TK-99D.

# Entretien des premier et deuxième clapets antiretour

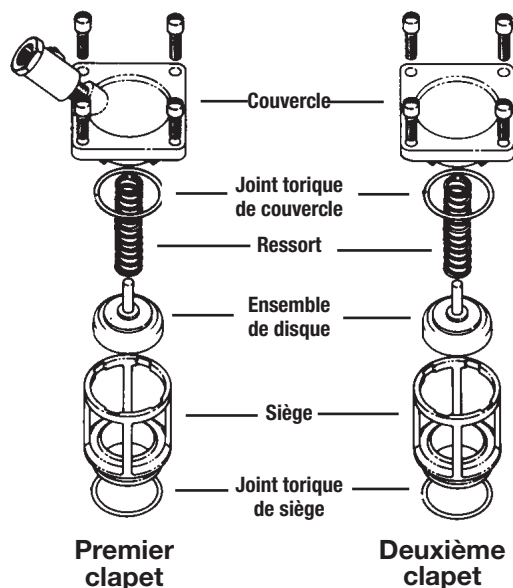


## AVIS

Aucun outil spécial n'est requis pour la maintenance des clapets antiretour.

1. Retirez les quatre vis qui retiennent le couvercle du premier clapet antiretour.
2. Soulevez le couvercle du premier clapet antiretour. Le clapet antiretour sort avec le couvercle et est fixé avec un dispositif de verrouillage de type baïonnette.
3. En tenant le module de clapet antiretour dans les deux mains, tournez l'ensemble d'un quart de tour. Cela désengage l'ensemble disque, le ressort et le couvercle du siège dans les composants individuels.
4. Nettoyez et réassemblez le disque ou, selon son état, jetez-le et remplacez-le par un nouvel ensemble de la trousse de maintenance. Les joints toriques doivent être nettoyés ou remplacés, au besoin, et légèrement graissés avec de la graisse silicone approuvée par le FDA qui est également fournie avec la trousse de maintenance.
5. Réassemblez le module de clapet antiretour dans l'ordre inverse. La maintenance est identique pour le premier et le deuxième clapet antiretour.

Pour plus de détails, adressez-vous à votre représentant technique local.



## AVIS

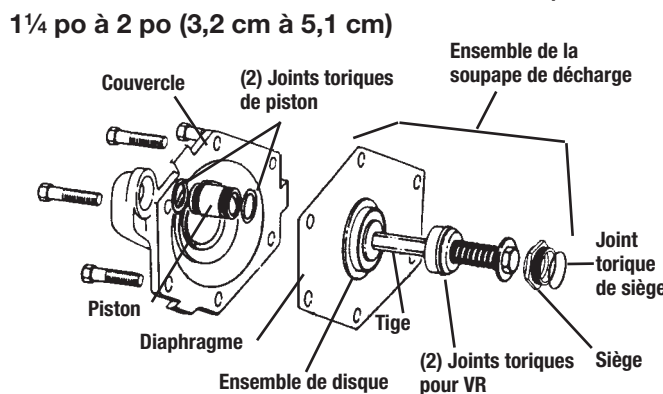
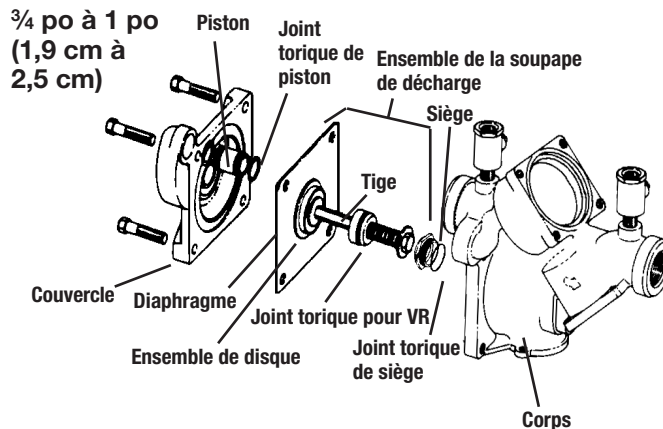
Les ressorts et les couvercles des premier et deuxième clapets antiretour ne sont pas interchangeables. Le module à ressort le plus lourd doit être dans le module de premier clapet et le briquet dans le module de deuxième clapet.

# Entretien de la soupape de décharge

## AVIS

La tension du ressort dans l'ensemble de soupape de décharge est contenue dans la conception de la soupape de décharge; par conséquent, le dispositif de décharge peut être retiré dans un ensemble de type bobine monobloc.

1. Détachez le module d'activation, le cas échéant, du capteur d'inondation, puis retirez le capteur de la soupape de décharge.
2. Retirez les quatre boulons qui maintiennent le couvercle de soupape de décharge en place.
3. Retirez le couvercle. L'adaptateur (ou le piston) en acier inoxydable avec joint torique est également retiré avec le couvercle.
4. Retirez l'ensemble de soupape de décharge.
5. Nettoyez le siège et le disque de soupape de décharge sans démonter l'ensemble de soupape de décharge. Si le diaphragme de soupape de décharge, le disque ou les deux doivent être remplacés, démontez le module de soupape de décharge. Aucun outil spécial n'est requis.

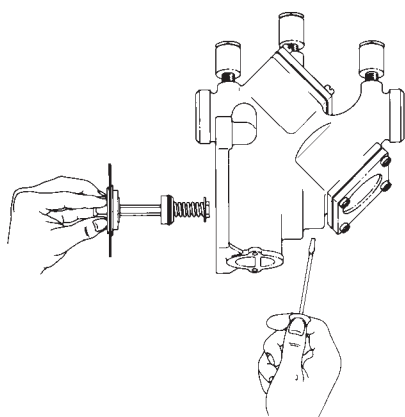


## Remontage de la soupape de décharge

Remettre l'ensemble de soupape de décharge en place nécessite beaucoup de précautions. Suivez attentivement les instructions pour éviter d'endommager la tige.

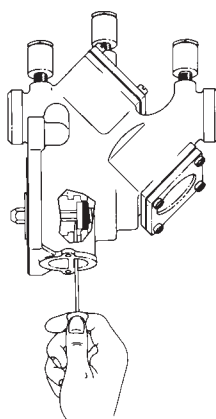
### ⚠ MISE EN GARDE

Si le couvercle de soupape de décharge ne se presse pas contre le corps, l'ensemble n'est pas bien aligné. Dans ce cas, le serrage des boulons provoque le pliage de la tige. Ne forcez pas le couvercle en place; un mauvais alignement cause des dommages.



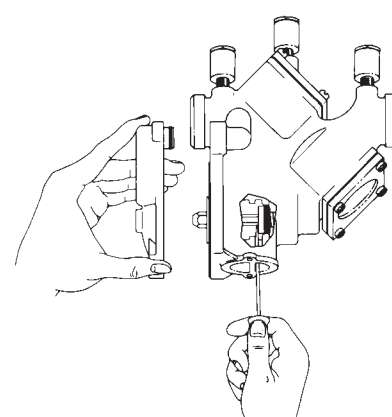
**Figure 1**

Ayez un tournevis à portée de main pour réassembler l'ensemble de soupape de décharge.



**Figure 2**

Enfoncez l'ensemble en le guidant avec précaution contre la charge de ressort de 2 livres (0,9 kg). Lorsqu'il est correctement aligné, le piston se trouve dans l'alésage du cylindre. Insérez le tournevis le long du mur du caniveau droit, en positionnant la pointe du tournevis à gauche des joints toriques de soupape de décharge pour maintenir l'ensemble en place.






**Figure 3**

Relâchez le tournevis et utilisez les deux mains pour fixer à nouveau le couvercle. Insérez deux boulons à 180 degrés l'un de l'autre et fixez-les pour maintenir le couvercle en place. Insérez les deux boulons restants et fixez-les en alternant les uns avec les autres jusqu'à ce que le couvercle soit bien fixé. Retirez le tournevis. Refixez le capteur d'inondation à la soupape de décharge et montez le module d'activation sur le capteur.




# Dépannage

| PROBLÈME  | CAUSE   | SOLUTION  |
|---|---|---|
| Rejet (crachat) périodique de la vanne au niveau de la ventilation.             | Variation de la pression d'alimentation.  | Installez un clapet antiretour à étanchéité souple tout de suite en amont du dispositif.  |
|   | Variation de la pression en aval.   | Installez un clapet antiretour à étanchéité souple en aval du dispositif le plus près possible du robinet d'arrêt.  |
| Fuite en goutte à goutte continue de la vanne au niveau de la ventilation.      | Premier clapet encrassé.  | Rincez la vanne. Si le rinçage ne résout pas le problème, démontez la vanne et nettoyez ou remplacez le premier clapet.   |
|   | Siège de soupape de décharge abîmé ou encrassé.   | Nettoyez ou remplacez le siège de soupape de décharge.  |
|   | Déplacement difficile du joint torique du piston de soupape de décharge en raison du tartre, de la saleté ou de l'accumulation de dépôts de minéraux dans le tuyau. | Nettoyez, lubrifiez ou remplacez le joint torique de piston.  |
|   | Déformation du deuxième clapet en raison d'une surpression excessive, du gel ou de coups de bélier.   | Éliminez la source de la surpression excessive ou les coups de bélier dans le système en aval du dispositif. Utilisez le dispositif antibélier Watts n° 15 pour éliminer les coups de bélier. Remplacez l'ensemble de deuxième clapet défectueux. En cas de gel, décongelez, démontez et inspectez les composants internes. Remplacez, s'il y a lieu.                             |
|   | Électrolyse au niveau du siège de soupape de décharge ou des sièges de premier clapet.  | Remplacez le siège de soupape de décharge ou le couvercle d'entrée. Procédez à une mise à la terre électrique du système de tuyauterie et/ou à une isolation électrique du dispositif avec un tuyau en plastique tout de suite en amont et en aval du dispositif.   |
|   | Vanne mal montée.   | Si la vanne est démontée pendant l'installation, faites preuve de prudence lors de la réinstallation des ressorts de clapet à leur emplacement approprié.   |
| Chute de pression importante dans la vanne.                                     | Crépine encrassée.  | Nettoyez la crépine ou remplacez-la.  |
|   | Vanne trop petite pour les débits rencontrés.   | Installez un dispositif de la taille adéquate d'après les exigences de débit.   |
| Aucun débit d'eau en aval de la vanne.  | Vanne installée à l'envers.   | Installez la vanne en accord avec la flèche de direction de débit.  |
| Échec du test de la vanne.  | La procédure d'essai du fabricant n'a pas été suivie.   | Nettoyez ou remplacez le robinet-vanne par des robinets à bille à passage intégral ou des robinets d'arrêt à coin.  |
|   | Fuite du robinet-vanne en aval.   |   |
| Encrassement rapide et systématique de la vanne après la maintenance.           | Débris dans la conduite trop fins pour être piégés par la crépine.  | Installez une crépine au maillage plus petit.   |
| Rendement des dispositifs anti-refoulement affecté pendant la saison hivernale. | Températures froides.   | Ruban isolant enveloppé très serré autour du corps de vanne. Construisez un petit abri autour de la vanne avec une grande ampoule installée et laissée allumée en tout temps. Si vous n'utilisez pas la conduite d'alimentation pendant tout l'hiver, il est préférable d'enlever tout le corps. Ce faisant, vous créez un passage d'air pour éliminer tout refoulement possible. |

## Trousses de raccordement de capteur complémentaire et de modernisation pour les systèmes de gestion de bâtiment

| CODE DE COMMANDE | TROUSSE COMPLÉMENTAIRE/DE MODERNISATION   | DESCRIPTION   |
|------------------|---|---|
| 88003056         |  <p>FP-BF-BMS<br/>Trousse de raccordement de capteur BMS<br/>Série LF909 – Petit<br/>Tailles ¾ po à 2 po (1,9 cm à 5,1 cm)</p>                         | Comprend un module d'activation de capteur avec câble, un fil de mise à la terre et un adaptateur d'alimentation. Utilisez cette trousse pour activer le capteur d'inondation et activer les capacités de détection des inondations sur la soupape de décharge lors d'une nouvelle installation avec un régulateur BMS (non inclus).  |
| 88003058         |  <p>FP-RFK-BF-BMS-CFS<br/>Trousse de connexion de mise à niveau de capteur BMS<br/>Série LF909 – Petit<br/>Tailles ¾ po à 1 po (1,9 cm à 2,5 cm)</p>   | Comprend un capteur d'inondation, un module d'activation de capteur avec câble, des boulons de montage, un fil de mise à la terre et un adaptateur d'alimentation. Utilisez cette trousse pour installer un capteur d'inondation et activer les capacités de détection des inondations à la soupape de décharge d'une installation existante avec un régulateur BMS (non inclus). |
| 88003059         |  <p>FP-RFK-BF-BMS-CFS<br/>Trousse de connexion de mise à niveau de capteur BMS<br/>Série LF909 – Petit<br/>Tailles 1 ¼ po à 2 po (3,2 cm à 5,1 cm)</p> | Comprend un capteur d'inondation, un module d'activation de capteur avec câble, des boulons de montage, un fil de mise à la terre et un adaptateur d'alimentation. Utilisez cette trousse pour installer un capteur d'inondation et activer les capacités de détection des inondations à la soupape de décharge d'une installation existante avec un régulateur BMS (non inclus). |

## Trousses de raccordement de capteur complémentaire et de modernisation pour communication cellulaire

| CODE DE COMMANDE | TROUSSE COMPLÉMENTAIRE/DE MODERNISATION  | DESCRIPTION   |
|------------------|--|---|
| 88003060         |  <p>FP-BF-CFS<br/>Trousse de raccordement de capteur cellulaire<br/>Série LF909 – Petit<br/>Tailles ¾ po à 2 po (1,9 cm à 5,1 cm)</p>                    | Comprend un module d'activation de capteur avec câble, une passerelle cellulaire avec trousse de montage, un fil de mise à la terre et un adaptateur d'alimentation. Utilisez cette trousse pour activer le capteur d'inondation et activer les capacités de détection des inondations sur la soupape de décharge lors d'une nouvelle installation fonctionnant avec la communication cellulaire pour envoi d'alertes par courriel, message texte ou appel vocal.   |
| 88003062         |  <p>FP-RFK-BF-CFS<br/>Trousse de connexion de mise à niveau de capteur cellulaire<br/>Série LF909 – Petit<br/>Tailles ¾ po à 1 po (1,9 cm à 2,5 cm)</p> | Comprend un capteur d'inondation, un module d'activation de capteur avec câble, une passerelle cellulaire avec trousse de montage, des boulons de montage, un fil de mise à la terre et un adaptateur d'alimentation. Utilisez cette trousse pour installer le capteur d'inondation intégré et activer les capacités de détection des inondations sur la soupape de décharge lors d'une installation existante fonctionnant avec la communication cellulaire pour envoi d'alertes par courriel, message texte ou appel vocal. |
| 88003063         |  <p>FP-RFK-BF<br/>Trousse de connexion de mise à niveau de capteur cellulaire<br/>Série LF909 – Petit<br/>Tailles 1 ¼ po à 2 po (3,2 cm à 5,1 cm)</p>   | Comprend un capteur d'inondation, un module d'activation de capteur avec câble, une passerelle cellulaire avec trousse de montage, des boulons de montage, un fil de mise à la terre et un adaptateur d'alimentation. Utilisez cette trousse pour installer le capteur d'inondation intégré et activer les capacités de détection des inondations sur la soupape de décharge lors d'une installation existante fonctionnant avec la communication cellulaire pour envoi d'alertes par courriel, message texte ou appel vocal. |

**Garantie limitée :** Watts (la « Société ») garantit que chacun de ses produits est exempt de vice de matériau et de fabrication dans des conditions normales d'utilisation pour une période d'un an à compter de la date d'expédition d'origine. Si les défauts susmentionnés venaient à se présenter au cours de la période sous garantie, la Société pourrait, à sa discrétion, être amenée à remplacer le produit ou le remettre en état, sans frais.

**LA PRÉSENTE GARANTIE EST DONNÉE EXPRESSÉMENT ET CONSTITUE LA SEULE GARANTIE DONNÉE PAR LA SOCIÉTÉ EN CE QUI CONCERNE LE PRODUIT. LA SOCIÉTÉ NE FORMULE AUCUNE AUTRE GARANTIE, EXPRESSE OU IMPLICITE. LA SOCIÉTÉ DÉCLINE AUSSI FORMELLEMENT PAR LA PRÉSENTE TOUTE AUTRE GARANTIE, EXPRESSE OU IMPLICITE, Y COMPRIS, SANS S'Y LIMITER, LES GARANTIES IMPLICITES DE QUALITÉ MARCHANDE ET D'APTITUDE À UN USAGE PARTICULIER.**

Le recours décrit dans le premier paragraphe de la présente garantie constitue le seul et unique recours en cas de violation de la garantie et la Société ne sera aucunement tenue responsable des dommages accessoires, spéciaux ou consécutifs, y compris, mais sans s'y limiter, le manque à gagner ou les coûts de réparation ou de remplacement d'autres biens endommagés si ce produit ne fonctionne pas correctement, les autres coûts résultant des frais de main-d'œuvre, des retards, du vandalisme, de la négligence, de l'encrassement causé par des matériaux étrangers, des dommages causés par des conditions de l'eau défavorables, des produits chimiques ou toute autre circonstance sur laquelle la Société n'a pas de contrôle. La présente garantie est déclarée nulle et non avenue en cas d'usage abusif ou incorrect, d'application, d'installation ou de maintenance inadéquates, voire de modification du produit.

Certains États n'autorisent pas les limitations de durée d'une garantie implicite, ni l'exclusion ou la limitation des dommages accessoires ou indirects. En conséquence, les limitations susmentionnées pourraient ne pas s'appliquer à votre cas. Cette garantie limitée vous confère des droits précis reconnus par la loi; vous pourriez également avoir d'autres droits, lesquels varient d'un État à l'autre. Vous devez donc prendre connaissance des lois applicables selon l'État pour déterminer vos droits. **LA DURÉE DE TOUTE GARANTIE IMPLICITE PRÉVUE PAR LA LOI APPLICABLE D'UN ÉTAT ET DEVANT DONC ÊTRE ASSUMÉE, NOTAMMENT LES GARANTIES IMPLICITES DE QUALITÉ MARCHANDE ET D'APTITUDE À UN USAGE PARTICULIER, SERA LIMITÉE À UN AN À PARTIR DE LA DATE DE L'EXPÉDITION D'ORIGINE.**

# WATTS®

É.-U. : Tél. : (978) 689-6066 • Watts.com

Canada : Tél. : (888) 208-8927 • Watts.ca

Amérique latine : Tél. : (52) 55-4122-0138 • Watts.com





## Manual de instalación, mantenimiento y reparación

# Serie LF909 pequeño

## Conjuntos de zonas de presión reducida

3/4" – 2" (1.90 cm - 5.08 cm)

### ⚠ ADVERTENCIA



Lea este manual **ANTES** de utilizar este equipo.  
No leer ni seguir toda la información de seguridad y uso puede resultar en la muerte, lesiones personales graves, daño a la propiedad o daño al equipo.  
Guarde este manual para consultas posteriores.

**PIENSE**  
PRIMERO EN  
LA SEGURIDAD

### ⚠ ADVERTENCIA

Los reglamentos locales de construcción o plomería pueden requerir modificaciones a la información proporcionada. Debe consultar los códigos locales de construcción y plomería antes de realizar la instalación. Si esta información no cumple con los códigos locales de construcción o plomería, se deben seguir los códigos locales. Este producto debe ser instalado por un contratista autorizado de acuerdo con los reglamentos y las ordenanzas locales.

### ⚠ ADVERTENCIA

**Se requiere inspección y mantenimiento periódicos:** Se debe probar periódicamente este producto de conformidad con los reglamentos locales y al menos una vez al año o más, según lo requieran las condiciones de servicio. Si se instala en un sistema de extinción de incendios, todas las retenciones mecánicas, como alarmas y dispositivos de prevención de contraflujo deben probarse e inspeccionarse de acuerdo con las normas NFPA 13 y/o NFPA 25. Todos los productos deben probarse nuevamente una vez que se haya realizado el mantenimiento. Las condiciones corrosivas del agua y/o los ajustes o las reparaciones no autorizados podrían hacer que el producto sea ineficaz en el servicio previsto. La verificación y limpieza periódica de los componentes internos del producto ayudan a garantizar la máxima vida útil y el correcto funcionamiento del producto.

### AVISO

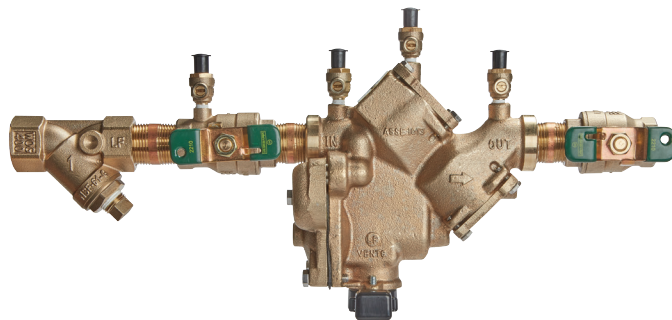
Para Australia y Nueva Zelanda, se deben instalar coladores de línea entre la válvula de cierre de aguas arriba y la entrada del dispositivo de prevención de reflujo.

### Pruebas

Para conocer el procedimiento de prueba de campo, consulte las hojas de instalación de Watts® IS-TK-DL, IS-TK-9A, IS-TK-99E, y IS-TK-99D en [watts.com](http://watts.com).

Para otros kits de reparación y piezas de repuesto, consulte los kits de reparación de productos para prevención de flujo de retorno y la lista de precios de piezas de servicio PL-RP-BPD en [www.watts.com](http://www.watts.com).

Para obtener asistencia técnica, póngase en contacto con su representante local de Watts.



LF909-Qt-S-FS

La serie LF909 Pequeño incluye un sensor en la válvula de alivio para detectar descargas excesivas y activar la notificación de un posible evento de inundación.

### AVISO

Se requiere un kit de conexión de complemento para activar el sensor de inundación. Sin el kit de conexión, el sensor de inundación es un componente pasivo sin comunicación con ningún otro dispositivo. (También está disponible un kit de conexión de sensor de retroadaptación para instalaciones existentes. Consulte "Kits de conexión de sensores de complemento y retroadaptación" para obtener detalles del pedido.)

### AVISO

El uso del sensor de inundación no sustituye la necesidad de cumplir con todas las instrucciones, códigos y reglamentos requeridos relacionados con la instalación, el funcionamiento y el mantenimiento de este producto, incluida la necesidad de proporcionar un drenaje adecuado en caso de una descarga.

Watts no asume responsabilidad de fallas de las alertas debidas a problemas de conectividad o de alimentación.

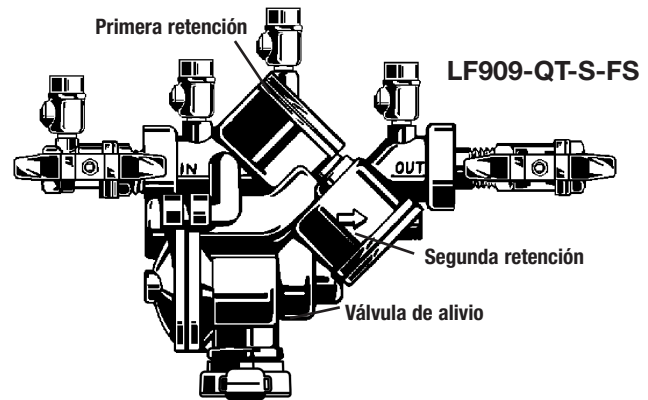
## Pautas de instalación

- Instale los dispositivos de prevención de reflujo en lugares de alta visibilidad para permitir un aviso inmediato de descargas inadvertidas u otro mal funcionamiento. Esta ubicación también debe facilitar las pruebas y el mantenimiento, y proteger contra la congelación y el vandalismo.
- No instale un dispositivo de prevención de reflujo en un pozo o bóveda. Asegúrese de que se cumplan todos los códigos locales y las disposiciones de seguridad requeridas. Debe mantenerse un espacio de aire debajo del puerto de alivio para evitar inundación e inmersión del conjunto, lo que puede provocar una conexión cruzada.
- Instale un filtro delante del dispositivo de prevención de reflujo para proteger todos los componentes internos de incrustaciones innecesarias.

### **⚠ PRECAUCIÓN**

No instale un colador delante del dispositivo de prevención de reflujo en líneas de agua de emergencia que rara vez se usan (como las líneas de rociadores contra incendios). La malla del filtro podría obstruirse con residuos presentes en el agua y causar la obstrucción del agua en una emergencia.

- Considere la posibilidad de utilizar un espacio de aire y una línea de residuos indirectos fabricados para acomodar la descarga normal y las salpicaduras molestas. Deben proporcionarse desagües en el piso del mismo tamaño en caso de descarga excesiva.
- Determine si se requiere una válvula de retención antes del dispositivo de prevención de reflujo. Cuando se instala un dispositivo de prevención de reflujo para aplicaciones de servicio sin salida (como líneas de alimentación de calderas, composición de torres de refrigeración u otro equipo con requisitos de flujo periódicos), la descarga de la ventilación de alivio puede ocurrir debido a la fluctuación de la presión del suministro de agua en condiciones estáticas sin flujo. \*Consulte "Solución de problemas" antes de la instalación.
- Observe la dirección de las flechas de flujo en el conjunto de la válvula. El dispositivo de prevención de reflujo está diseñado para que el nivel crítico de la válvula de alivio se coloque debajo de la primera retención. Esta característica única permite instalar la válvula vertical u horizontalmente.
- Siga las pautas para la opción de instalación específica seleccionada; es decir, interior, exterior o paralelo. El procedimiento de instalación debe cumplir con todos los códigos estatales y locales.
- Antes de la instalación, lave bien todas las tuberías para eliminar cualquier materia extraña.
- En el comienzo de la instalación inicial y después del mantenimiento, asegúrese de que el cierre aguas abajo esté cerrado. Abra lentamente el cierre de aguas arriba y permita que el inhibidor de flujo de retorno se llene lentamente. Purgue el aire en cada válvula de prueba. Cuando el dispositivo de prevención de reflujo esté lleno, abra lentamente el cierre de aguas abajo y llene el sistema de suministro de agua. Esto es necesario para evitar el desprendimiento de juntas tóricas o causar daños a los componentes internos.
- Hacer que un probador certificado examine el dispositivo de prevención de reflujo en el momento de la instalación para asegurarse de que el conjunto funciona correctamente y de que se puede confiar en él para proteger el agua potable segura según las normas correspondientes.



# Interiores

## Aprobado por ASSE para flujo de instalación vertical hacia arriba y hacia abajo

Para instalaciones en interiores, la válvula debe ser fácilmente accesible para facilitar las pruebas y el mantenimiento. El conjunto puede instalarse de forma vertical u horizontal. Si se encuentra en una línea cerca de la pared, asegúrese de que las llaves de prueba sean fácilmente accesibles. Se debe canalizar una línea de drenaje y un espacio de aire desde la conexión de la válvula de alivio como se muestra, donde haya evidencia claramente visible de las descargas, y de modo que se puedan limitar el daño causado por el agua. Por lo tanto, nunca instale el conjunto en lugares ocultos.

### AVISO

La llave de prueba debe estar situada en la primera válvula de cierre o en la válvula de cierre de entrada.

Para obtener más información sobre el espacio de aire, descargue ES-AG/EL/TC en watts.com.

## Edificio exterior sobre el suelo

En un área donde no hay condiciones de congelación, el conjunto puede instalarse fuera de un edificio. La instalación más satisfactoria se realiza sobre el suelo; instálelo de esta manera siempre que sea posible.

En un área donde se pueden haber condiciones de congelación, el conjunto debe instalarse sobre el suelo en un armario aislado.

El conjunto puede instalarse en una línea vertical u horizontal y en una ubicación accesible para facilitar las pruebas y el mantenimiento. Debe canalizarse una línea de descarga desde el espacio de aire en la conexión de la válvula de alivio, y asegurarse de que haya un drenaje adecuado. Nunca canalice la línea de descarga directamente en una zanja de drenaje, alcantarillado o sumidero. El conjunto nunca debe instalarse en lugares en los que cualquier parte de la unidad pueda sumergirse en agua estancada. Se debe tener en cuenta la instalación de la estructura de soporte externa, según corresponda.

En general, no se recomienda la instalación de dispositivos de prevención de reflujo en los pozos. Este tipo de instalación debe realizarse solo cuando sea absolutamente necesario y solo cuando lo aprueben los códigos locales. En tales casos, se prefiere una instalación de pozo modificada.

## Paralelo

### AVISO

Consulte los códigos locales para obtener la aprobación.

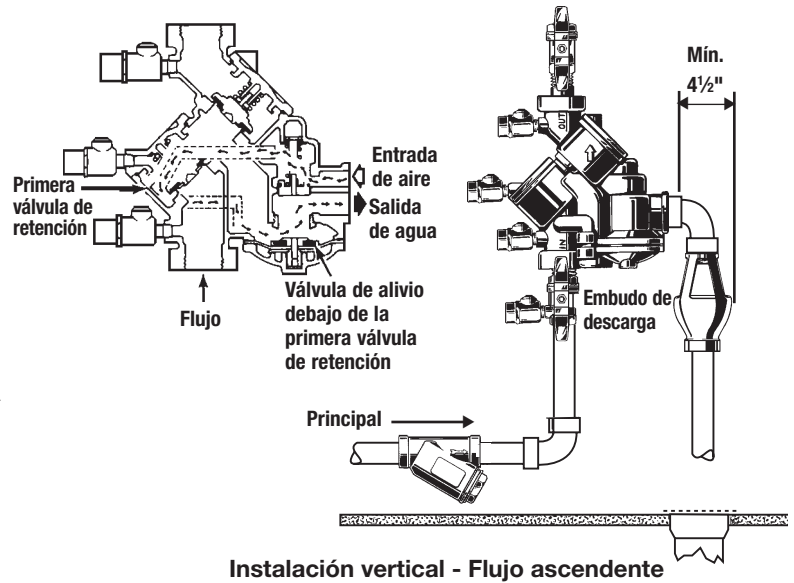
Dos o más válvulas de menor tamaño se pueden canalizar en paralelo (cuando se aprueba) para servir a una tubería de suministro principal más grande. Este tipo de instalación se emplea cuando se necesita mayor capacidad que la proporcionada por una sola válvula y permite probar o reparar una válvula individual sin cerrar la línea completa.

El número de válvulas utilizadas en paralelo debe determinarse según el criterio del ingeniero de cumplimiento en función de las condiciones de funcionamiento de una instalación específica.

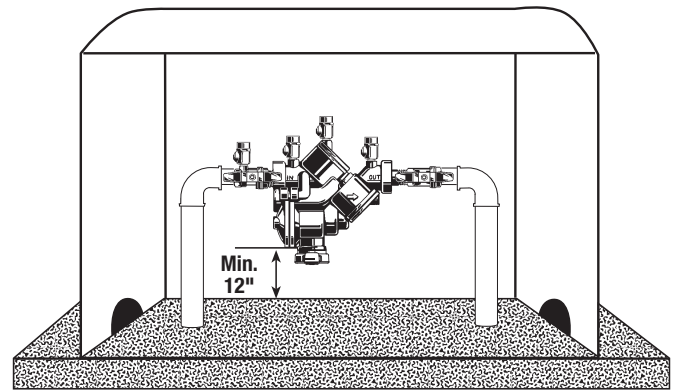
La siguiente tabla muestra la capacidad total proporcionada con instalaciones de válvula doble de varios tamaños.

| CAPACIDAD REQUERIDA PARA EL SISTEMA |              |              |              |              |              |
|-------------------------------------|--------------|--------------|--------------|--------------|--------------|
| 50 gpm                              | 100 gpm      | 150 gpm      | 200 gpm      | 250 gpm      | 350 gpm      |
| Dos ¾"                              | Dos 1 in     | Dos 1¼"      | Dos 1½"      | Dos 1½"      | Dos 2"       |
| (1.90 cm)                           | (2.54 cm)    | (3.17 cm)    | (3.81 cm)    | (3.81 cm)    | (5.08 cm)    |
| Dispositivos                        | Dispositivos | Dispositivos | Dispositivos | Dispositivos | Dispositivos |

LF909-QT-S

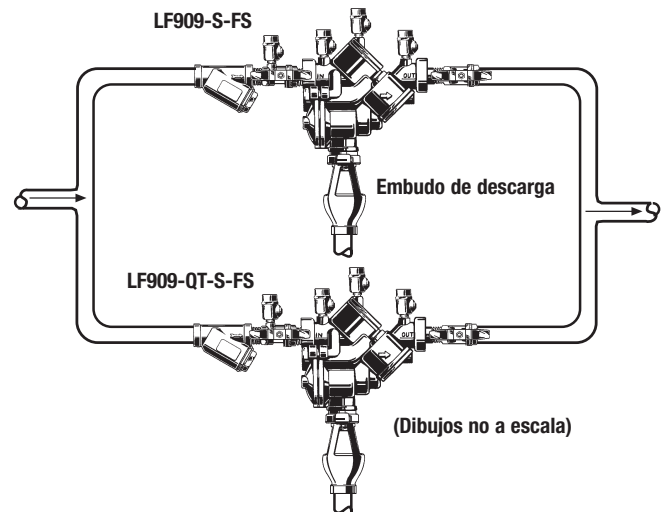


Instalación vertical - Flujo ascendente



WattsBox Insulated Enclosures

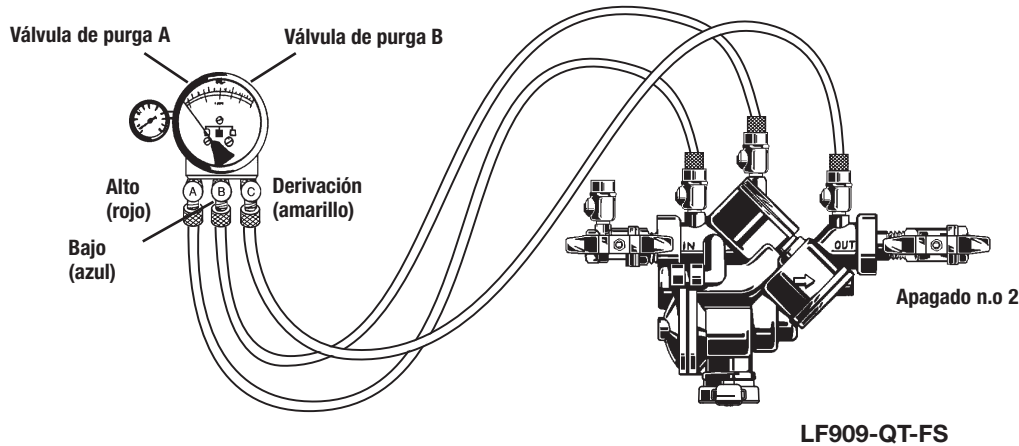
For more information, download ES-WB.



# Procedimiento de prueba para conjunto de presión reducida

Realice las siguientes acciones antes de iniciar los procedimientos de prueba.

- Asegúrese de que todas las válvulas de aguja estén cerradas en el kit de prueba.
- Abra la llave de prueba n.º 4 y lave las llaves de prueba n.º 1, n.º 2 y n.º 3 en el conjunto de presión reducida y, a continuación, cierre la llave de prueba n.º 4.
- Conecte las mangueras como se muestra en el diagrama. Purgue el aire del kit y cierre el cierre n.º 2.



## Prueba n.º 1 - Válvula de retención n.º 2

**Objetivo:** Probar la estanqueidad de la válvula de retención N.º 2 contra el flujo inverso.

**Requisitos:** La válvula debe estar apretada contra el flujo inverso en todos los diferenciales de presión.

1. Abra lentamente las válvulas de aguja "A" alta (roja) y la derivación "C" (amarilla). Mantenga cerrada la válvula de aguja "B" baja (azul).
2. Abra la llave de prueba n.º 4.
3. Observe que el diferencial de presión disminuye ligeramente. Si el diferencial de presión continúa disminuyendo (hasta que se abra la ventilación), la válvula de retención N.º 2 se informa como "fuga".

## Prueba n.º 2 - Válvula de cierre n.º 2

**Objetivo:** Para probar la estanqueidad de la válvula de cierre N.º 2.

1. Tras superar la prueba N.º 1, continúe con la prueba N.º 2 cerrando la válvula de prueba N.º 2.
2. Observe que el diferencial de presión disminuye ligeramente. Si el diferencial de presión continúa disminuyendo (se acerca a "cero"), se informa de que la válvula de cierre N.º 2 tiene "fugas".

### AVISO

Un cierre de fuga n.º 2 siempre da una lectura falsa en las pruebas n.º 3 y 4.

## Prueba n.º 3 - Válvula de retención n.º 1

**Objetivo:** Probar la estanqueidad de la válvula de retención N.º 1.

**Requisitos:** La válvula debe estar apretada contra el flujo inverso en todos los diferenciales de presión.

1. Cierre la válvula de aguja A alta (roja) y abra la llave de prueba n.º 2.
2. Cierre la válvula de prueba N.º 4. Desconecte la manguera de derivación (amarilla) en la llave de prueba n.º 4.
3. Abra las válvulas de aguja B baja (azul) y la derivación C (amarillo), con lo que se purga a la atmósfera. A continuación,

cierre la válvula de aguja B (azul) para restablecer el sistema a una condición estática normal.

4. Observe el manómetro diferencial de presión. Si hay una disminución en el valor indicado, la válvula de retención N.º 1 se indica como "fuga".

## Prueba n.º 4 - Válvula de alivio diferencial de presión

**Objetivo:** Probar el funcionamiento de la válvula de alivio diferencial de presión.

**Requisitos:** La válvula de alivio diferencial de presión debe funcionar para mantener la "zona" entre las dos válvulas de retención al menos 2 psi menos que la presión de suministro.

1. Cierre la derivación de la válvula de aguja C (amarillo).
2. Abra la válvula de aguja A alta (roja).
3. Abra la válvula de aguja B baja (azul) muy lentamente hasta que la aguja del medidor diferencial empiece a caer.
4. Mantenga la válvula en esta posición y observe la lectura del manómetro al momento de observar la primera descarga de la válvula de alivio. Registre esto como la presión diferencial de apertura de la válvula de alivio.

### AVISO

La aguja del manómetro diferencial debe descender lentamente. Esto es importante para mantener la estabilidad.

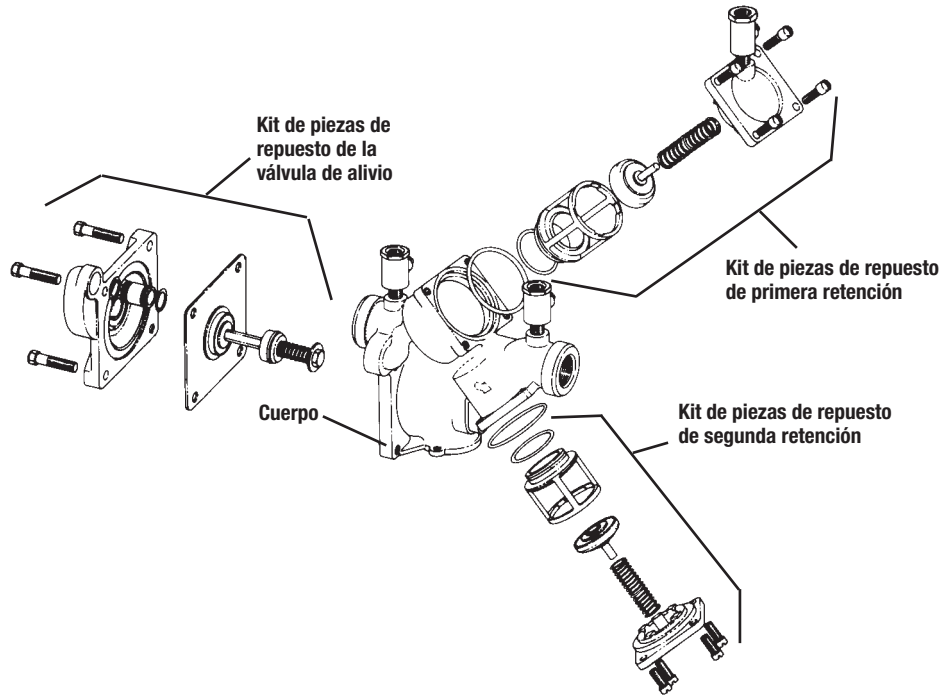
5. Cierre las válvulas de prueba N.º 2 y N.º 3. Retire las mangueras de las llaves de prueba n.º 2 y n.º 3.
6. Utilice la manguera de derivación (amarilla) para liberar la presión del kit de prueba abriendo las válvulas de aguja A, B y C y las válvulas de purga A y B.
7. Retire todo el equipo de prueba y abra el cierre n.º 2.

### PRECAUCIÓN

Para evitar la congelación, sujete el kit de prueba verticalmente para drenar el indicador diferencial y las mangueras antes de colocar el kit en la caja.

Para obtener información adicional sobre las pruebas, consulte IS-TK-DL, IS-TK-9A, IS-TK-99E o IS-TK-99D.

# Mantenimiento de las primeras y segundas válvulas de retención

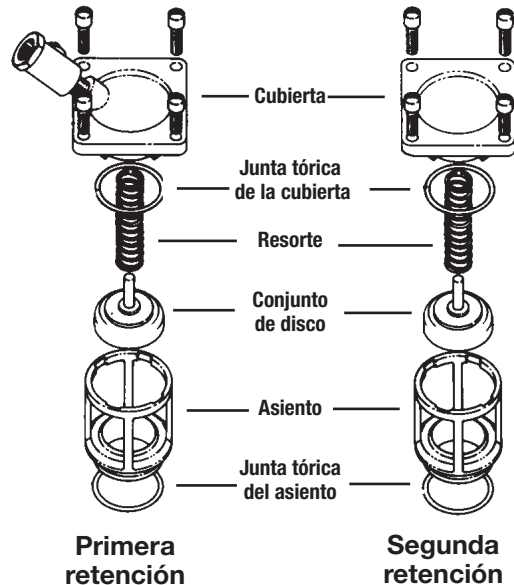


## AVISO

No se requieren herramientas especiales para realizar el mantenimiento de las válvulas de retención.

1. Retire los cuatro tornillos que sujetan la primera tapa de la válvula de retención.
2. Levante la tapa de la primera válvula de retención. La válvula de retención sale con la cubierta y está acoplada con una disposición de bloqueo tipo bayoneta.
3. Sostenga el módulo de la válvula de retención con ambas manos, gire el conjunto un cuarto de vuelta. Esto desconecta el conjunto del disco, el resorte y la cubierta del asiento en componentes individuales.
4. Limpie y vuelva a montar el conjunto del disco o, dependiendo de su estado, deséchelo y sustitúyalo por un conjunto nuevo del kit de servicio. Las juntas tóricas deben limpiarse o sustituirse según sea necesario y engrasarse ligeramente con grasa de silicona aprobada por la FDA, que también se suministra con el kit de servicio.
5. Vuelva a montar el módulo de la válvula de retención en orden inverso. El servicio es idéntico para la primera y la segunda válvula de retención.

Para obtener más información, póngase en contacto con su representante técnico de ventas.



## AVISO

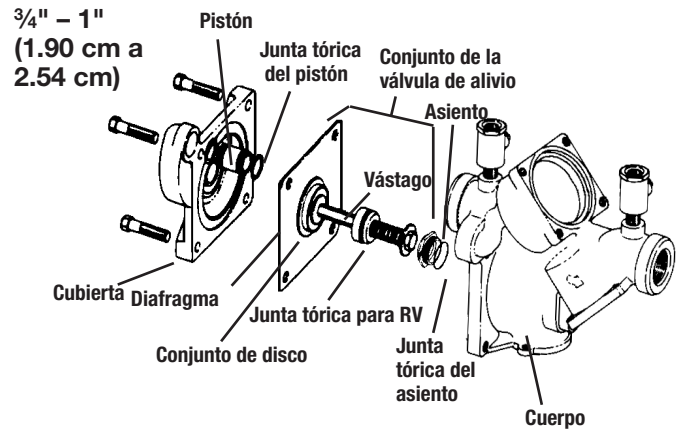
Los resortes y las cubiertas de las válvulas de retención primera y segunda no son intercambiables. El módulo con resorte más pesado debe estar en la primera retención y el más ligero en el segundo módulo de retención.

# Mantenimiento de la válvula de alivio

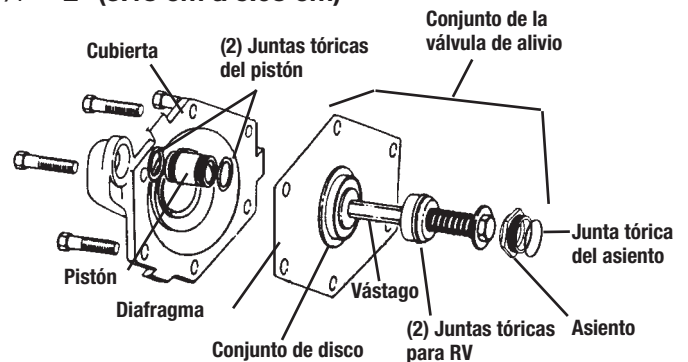
## AVISO

La tensión del resorte en el conjunto de la válvula de alivio está contenida en el diseño de la válvula de alivio; por lo tanto, el alivio puede retirarse en un conjunto tipo carrito de una pieza.

1. Desconecte el módulo de activación, si está instalado, del sensor de inundación, luego retire el sensor de la válvula de alivio.
2. Retire los cuatro pernos que sujetan la tapa de la válvula de alivio en su lugar.
3. Retire la cubierta. El adaptador de acero inoxidable (o pistón) con junta tórica acoplada también se retira con la cubierta.
4. Extraiga el conjunto de la válvula de alivio.
5. Limpie el asiento y el disco de la válvula de alivio sin desmontar el conjunto de la válvula de alivio. Si es necesario cambiar el diafragma de la válvula de alivio, el disco, o ambos, desmonte el módulo de la válvula de alivio. No necesita herramientas especiales.



1 1/4" - 2" (3.18 cm a 5.08 cm)

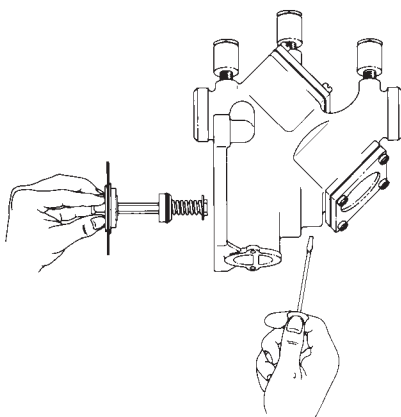


## Reensamblaje de la válvula de alivio

Se requiere mucho cuidado para volver a unir el conjunto de la válvula de alivio. Siga atentamente las instrucciones para evitar daños en el vástago.

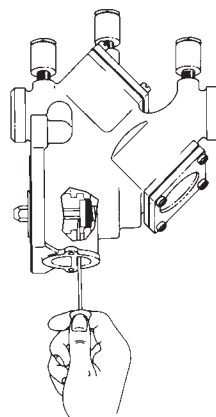
### ⚠ PRECAUCIÓN

Si la tapa de la válvula de alivio no presiona contra el cuerpo, el conjunto está torcido. Al apretar los pernos en este caso, el vástago se dobla. No fuerce la cubierta en su lugar; la desalineación causa daños.



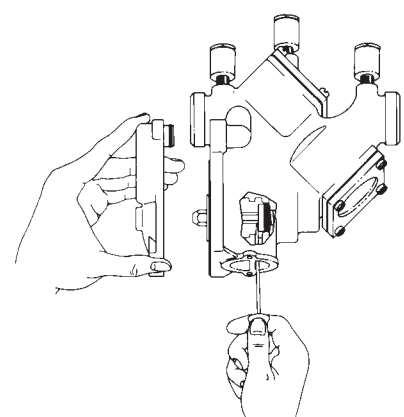
**Figura 1**

Tenga a mano un destornillador para volver a montar el conjunto de la válvula de alivio.



**Figura 2**

Presione el conjunto, guiándolo cuidadosamente contra la carga del resorte de 2 libras. Cuando está correctamente alineado, el pistón está en el orificio del cilindro. Inserte el destornillador a lo largo de la pared derecha del canal; coloque la punta del destornillador a la izquierda de las juntas tóricas de la válvula de alivio para mantener el conjunto en su lugar.






**Figura 3**

Suelte el destornillador y use ambas manos para volver a colocar la cubierta. Inserte dos pernos separados 180 grados y fíjelos para mantener la cubierta en su lugar. Inserte los dos pernos restantes y ajústelos alternando uno con otro hasta que la cubierta quede bien sujeta. Retire el destornillador. Vuelva a conectar el sensor de inundación a la válvula de alivio y monte el módulo de activación en el sensor.




## Solución de problemas

| PROBLEMA   | CAUSA   | SOLUCIÓN  |
|--|---|---|
| La válvula escupe periódicamente desde la ventilación.   | Presión de suministro fluctuante.   | Instale una válvula de retención de asiento blando inmediatamente aguas arriba del dispositivo.   |
|  | Presión de aguas abajo fluctuantes.   | Instale una válvula de retención de asiento blando aguas abajo del dispositivo lo más cerca posible de la válvula de cierre.  |
| La válvula gotea continuamente desde la ventilación.   | Válvula de retención sucia  | Válvula de descarga. Si la descarga no resuelve el problema, desmonte la válvula y limpie o reemplace la primera retención.   |
|  | Asiento de la válvula de alivio dañado o sucio.   | Limpie o sustituya el asiento de la válvula de alivio.  |
|  | La junta tórica del pistón de la válvula de alivio no se mueve libremente debido al sarro de la tubería, la suciedad o la acumulación de depósitos minerales. | Limpie, engrase o reemplace la junta tórica del pistón.   |
|  | La contrapresión excesiva, la congelación o el golpe de ariete han distorsionado la segunda retención.  | Elimine la fuente de contrapresión excesiva o golpe de ariete en el sistema aguas abajo del dispositivo. Utilice la Watts N.º 15 para eliminar el golpe de ariete. Reemplace el segundo conjunto de retención defectuoso.<br>En caso de congelación, descongele, desmonte, e inspeccione los componentes internos.<br>Reemplace según sea necesario.                              |
|  | Asiento de válvula de alivio o electrólisis o asientos de primera retención.  | Sustituya el asiento de la válvula de alivio o la cubierta de entrada.<br>Conecte a tierra eléctricamente el sistema de tuberías y/o aisle eléctricamente el dispositivo con una tubería de plástico inmediatamente aguas arriba y aguas abajo del dispositivo.   |
|  | Válvula reensamblada incorrectamente.   | Si la válvula se desmonta durante la instalación, tenga cuidado al instalar los resortes de retención en su ubicación correcta.   |
| La válvula muestra una caída de presión alta.  | Filtro sucio.   | Limpie el elemento del filtro o sustitúyalo.  |
|  | Válvula demasiado pequeña para caudales encontrados.  | Instale un dispositivo del tamaño adecuado según los requisitos de flujo.   |
| No fluye agua aguas abajo de la válvula.   | Válvula instalada al revés.   | Instale la válvula de acuerdo con la flecha de dirección del flujo.   |
| La válvula no realiza la prueba correctamente.   | No se sigue el procedimiento de prueba del fabricante.  | Limpie o reemplace la válvula de compuerta con válvulas de bola de puerto completo o válvulas de cierre de cuña resistentes.  |
|  | Fuga en la válvula de compuerta aguas abajo.  |   |
| La válvula se ensucia rápida y repetidamente después del mantenimiento.                              | Los residuos en la tubería son demasiado finos para ser atrapados por el filtro.  | Instale un elemento de malla más fino en el filtro.   |
| Rendimiento de los dispositivos de prevención de reflujo afectados durante la temporada de invierno. | Temperaturas frías.   | Envoltura de cinta térmica eléctrica muy cerca del cuerpo de la válvula. Construya un pequeño refugio alrededor de la válvula con una bombilla grande instalada que se deje encendida en todo momento.<br>Si la línea de suministro no se utiliza durante el invierno, lo mejor es retirar todo el cuerpo. Esto forma un espacio de aire para eliminar cualquier posible reflujo. |

## Kits de conexión de sensores de complemento y retroadaptación para sistemas de gestión de edificios

| CÓDIGO DE PEDIDO | KIT ADICIONAL/RETROADAPTACIÓN   | DESCRIPCIÓN   |
|------------------|---|---|
| 88003056         |  <p>FP-BF-BMS<br/>Kit de conexión del sensor BMS Serie LF909 pequeño<br/>Tamaños de ¾" a 2" (1.90 cm a 5.08 cm)</p>                                | Incluye un módulo de activación del sensor con cable, cable de tierra y adaptador de corriente. Utilice este kit para activar el sensor de inundación y habilitar las capacidades de detección de inundación en la válvula de alivio de una nueva instalación conectada a un controlador BMS (no incluido).   |
| 88003058         |  <p>FP-RFK-BF-BMS-CFS<br/>Kit de conexión de retroadaptación del sensor de BMS Serie LF909 pequeño<br/>Tamaños de ¾" a 1" (1.90 cm a 2.54 cm)</p>  | Incluye un sensor de inundación, módulo de activación de sensor con cable, pernos de montaje, cable de conexión a tierra y adaptador de corriente. Utilice este kit para instalar el sensor de inundación y habilitar las capacidades de detección de inundaciones en la válvula de alivio de una instalación existente vinculada a un controlador BMS (no incluido). |
| 88003059         |  <p>FP-RFK-BF-BMS-CFS<br/>Kit de conexión de retroadaptación del sensor de BMS Serie LF909 pequeño<br/>Tamaños de 1¼" a 2" (3.17 cm a 5.08 cm)</p> | Incluye un sensor de inundación, módulo de activación de sensor con cable, pernos de montaje, cable de conexión a tierra y adaptador de corriente. Utilice este kit para instalar el sensor de inundación y habilitar las capacidades de detección de inundaciones en la válvula de alivio de una instalación existente vinculada a un controlador BMS (no incluido). |

## Kits de conexión de sensores de complemento y de retroadaptación para la comunicación celular

| CÓDIGO DE PEDIDO | KIT ADICIONAL/RETROADAPTACIÓN   | DESCRIPCIÓN  |
|------------------|---|--|
| 88003060         |  <p>FP-BF-CFS<br/>Kit de conexión del sensor celular Serie LF909 pequeño<br/>Tamaños de ¾" a 2" (1.90 cm a 5.08 cm)</p>                         | Incluye un módulo de activación de sensor con cable, puerta de enlace celular con kit de montaje, adaptador de corriente y cable de tierra. Utilice este kit para activar el sensor de inundación y habilitar las capacidades de detección de inundaciones en la válvula de alivio de una nueva instalación vinculada a una comunicación celular para enviar alertas por correo electrónico, mensaje de texto SMS o llamada de voz.  |
| 88003062         |  <p>FP-RFK-BF-CFS<br/>Kit de conexión de retroadaptación del sensor celular Serie LF909 pequeño<br/>Tamaños de ¾" a 1" (1.90 cm a 2.54 cm)</p> | Incluye sensor de inundación, módulo de activación de sensor con cable, puerta de enlace celular con kit de montaje, pernos de montaje, adaptador de corriente y cable de tierra. Utilice este kit para instalar el sensor de inundación y habilitar las capacidades de detección de inundación en la válvula de alivio de una instalación existente vinculada a una comunicación celular para enviar alertas por correo electrónico, mensaje de texto SMS o llamada de voz. |
| 88003063         |  <p>FP-RFK-BF<br/>Kit de conexión de retroadaptación del sensor celular Serie LF909 pequeño<br/>Tamaños de 1¼" a 2" (3.17 cm a 5.08 cm)</p>    | Incluye sensor de inundación, módulo de activación de sensor con cable, puerta de enlace celular con kit de montaje, pernos de montaje, adaptador de corriente y cable de tierra. Utilice este kit para instalar el sensor de inundación y habilitar las capacidades de detección de inundación en la válvula de alivio de una instalación existente vinculada a una comunicación celular para enviar alertas por correo electrónico, mensaje de texto SMS o llamada de voz. |

**Garantía limitada:** Watts (la "Compañía") garantiza que cada producto está libre de defectos en los materiales y la mano de obra en condiciones de uso normal en el período de un año a partir de la fecha de envío original. En caso de que tales defectos se presenten dentro del período de garantía, la Compañía, a su criterio, reemplazará o reacondicionará el producto sin cargo alguno.

**LA GARANTÍA ESTABLECIDA EN ESTE DOCUMENTO SE OTORGA EXPRESAMENTE Y ES LA ÚNICA GARANTÍA OTORGADA POR LA COMPAÑÍA CON RESPECTO AL PRODUCTO. LA COMPAÑÍA NO OFRECE NINGUNA OTRA GARANTÍA, EXPRESA NI IMPLÍCITA. POR ESTE MEDIO, LA COMPAÑÍA RENUNCIA ESPECÍFICAMENTE A TODAS LAS DEMÁS GARANTÍAS, EXPRESAS O IMPLÍCITAS, INCLUIDAS, ENTRE OTRAS, LAS GARANTÍAS IMPLÍCITAS DE COMERCIABILIDAD E IDONEIDAD PARA UN PROPÓSITO EN PARTICULAR.**

El recurso descrito en el primer párrafo de esta garantía constituirá el único y exclusivo recurso por incumplimiento de la garantía, y la Compañía no será responsable de ningún daño incidental, especial o consecuente, incluidos, entre otros, la pérdida de ganancias o el costo de reparación o reemplazo de otros bienes dañados si este producto no funciona correctamente, otros costos resultantes de cargos laborales, demoras, vandalismo, negligencia, contaminación causada por materiales extraños, daños por condiciones adversas del agua, productos químicos o cualquier otra circunstancia sobre la cual la Compañía no tenga control. Esta garantía quedará anulada por cualquier abuso, uso indebido, aplicación inadecuada, instalación o mantenimiento incorrectos, así como la alteración inadecuada del producto.

Algunos estados no permiten limitaciones sobre la duración de una garantía implícita y otros estados no permiten la exclusión o limitación de daños incidentales o consecuentes. Por lo tanto, es posible que las limitaciones anteriores no se apliquen a usted. Esta garantía limitada le otorga derechos legales específicos y es posible que tenga otros derechos que varían de un estado a otro. Debe consultar las leyes estatales correspondientes para determinar sus derechos. **EN LA MEDIDA QUE SEA CONSISTENTE CON LAS LEYES ESTATALES VIGENTES, CUALQUIER GARANTÍA IMPLÍCITA QUE NO PUEDA SER RECHAZADA, INCLUIDAS LAS GARANTÍAS IMPLÍCITAS DE COMERCIABILIDAD E IDONEIDAD PARA UN PROPÓSITO PARTICULAR, TIENE UNA DURACIÓN LIMITADA A UN AÑO A PARTIR DE LA FECHA DE ENVÍO ORIGINAL.**

# WATTS®

EE. UU.: Tel.: (978) 689-6066 • Watts.com

Canadá: Tel.: (888) 208-8927 • Watts.ca

Latinoamérica: Tel.: (52) 55-4122-0138 • Watts.com

