



**For Use with GREE Multi Zone OD Units**  
**MULTI18 Thru MULTI42 Standard and ULTRA SERIES\***  
 \*(Not Compatible with Super+ Multi or Super+ Multi ULTRA)

**Submittal Data: LIVV09HP230V1AH** 9000 BTU/H (208/230V) Wall Mounted Heat Pump System

Job Name	Location	Date
Purchaser	Engineer	
Submitted To	For <input type="checkbox"/> Reference <input type="checkbox"/> Approval <input type="checkbox"/> Construction	
Unit Designation	Schedule No.	

- GENERAL FEATURES**
- Multi Speed Fan
  - Swing Louvers
  - Compact and Quiet Design
  - Wireless Remote with LCD Display
  - Wi-Fi Ready (Kit Sold Separately) WSBEE05
  - Wired Controller (Sold Separately) XE71
  - I Feel Function
  - Blue Fin Condenser Coil
  - 5 year Limited Parts Warranty



**System Ratings**

<b>Cooling</b>			
Rated Capacity	Btu/hr	9100	
SEER	SEE MATCHED OUTDOOR UNIT RATINGS		
EER	SEE MATCHED OUTDOOR UNIT RATINGS		
<b>Heating at 47° F</b>			
Rated Capacity	Btu/hr	9500	
HSPF	SEE MATCHED OUTDOOR UNIT RATINGS		
COP	SEE MATCHED OUTDOOR UNIT RATINGS		
<b>Operating Range</b>			
Cooling	(Max)		
	(Min)	SEE MATCHED OUTDOOR UNIT RATINGS	
Heating	(Max)		
	(Min)	SEE MATCHED OUTDOOR UNIT RATINGS	

**Indoor Unit Data**

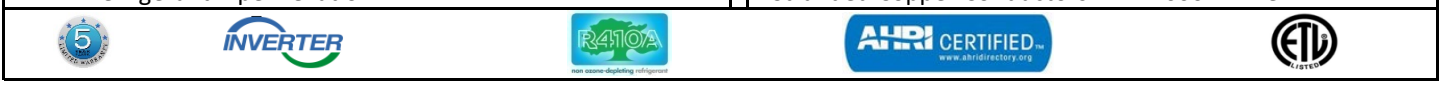
<b>Fan Motor Type</b>	Cross-Flow		
Output Power	W	20	
FLA	A	0.22	
<b>Fan Type</b>	Crossflow		
<b>Air Filter</b>	Polymeric Mesh		
<b>Airflow</b>			
Turbo / Hi / Med / Lo	CFM	294 / 271 / 235 /182	
<b>Sound Pressure Level</b>			
Turbo / Hi / Med / Lo	Clg dB(A)	39 / 37 / 33 / 26	
	Htg dB(A)	41 / 38 / 34 / 29	
<b>Dehumidification</b>			
	Pints/hr	1.69	
<b>Drain Connection</b>			
	in	5/8	
Left or Right Drain Line Connection-Gravity Fed			

**Refrigerant Piping Data**

<b>Refrigerant</b>	R410A		
Liquid Pipe Size (OD) Flared	in	1/4	
Gas Pipe Size (OD) Flared	in	3/8	
Connection Method	Flared		
Pre-Charge Length			
MAX Refrigerant Pipe Length	SEE MATCHED OUTDOOR UNIT RATINGS		
MIN Refrigerant Pipe Length	SEE MATCHED OUTDOOR UNIT RATINGS		
MAX Refrigerant Pipe Elevation			

**Electrical Data**

<b>Power Supply</b> -The indoor unit is powered from the outdoor unit, depending on local code, a disconnect switch may need to be installed to a power supply circuit.			
Normal Operational Voltage	208/230V, 1 Ph, 60 Hz		
Voltage Range	V	187 - 253	
MCA	SEE MATCHED OUTDOOR UNIT		
MOCB/Breaker Size	SEE MATCHED OUTDOOR UNIT		
<b>Interconnecting Wire Size</b>	AWG	14-4	
Stranded Copper Conductors THHN 600V Wire			

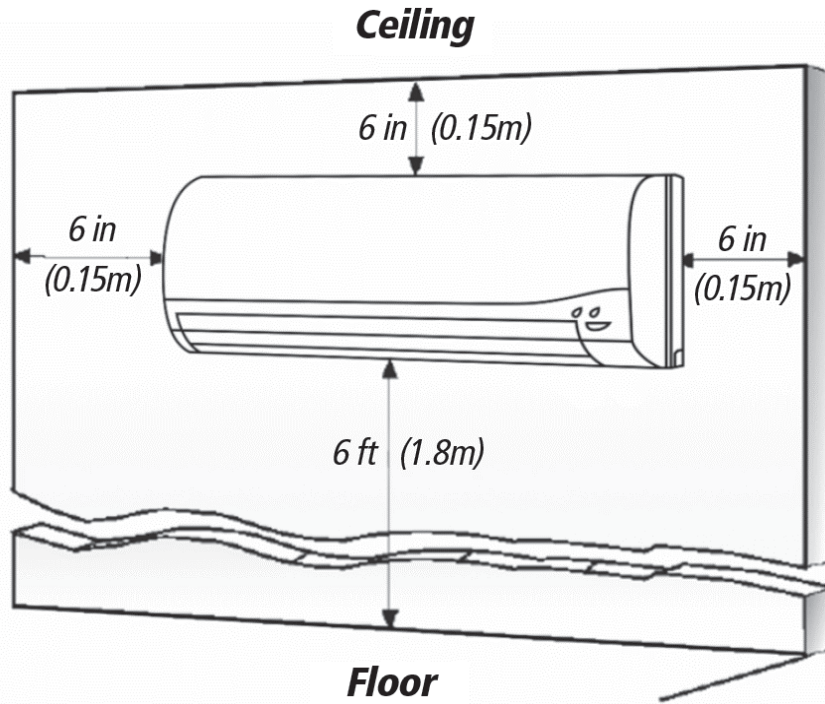


SYSTEM FEATURES	
Indoor Fan Type	Crossflow
Multi Fan Speeds	4 Speeds
Indoor Unit Display	YES
Advanced Filter	Optional
Auxiliary Electrical Heater	NO
Ventilation (Outdoor Air)	NO

REMOTE CONTROLLER FUNCTIONS	
Auto Mode	YES
Auto Fan	YES
Manual Horizontal Swing	YES
Auto Swing (Vertical Auto Swing)	YES
Clock on Remote Controller	YES
Dry Mode	YES
Dry Anti-Mildew (X-Fan) Mode	YES
Energy Saving Mode	YES
Dirty Filter Alert	NO
I Feel Function	YES
Lock on Remote Controller	YES
Quiet Mode	NO
Room Temperature Display	YES
Sleep Mode	YES
Timer Mode	YES
Turbo Mode	YES
Display On/Off Control	YES
Freeze Guard Mode (46 °F)	YES
Display On/Off Control	YES

MINIMUM SPACING REQUIREMENTS

INDOOR

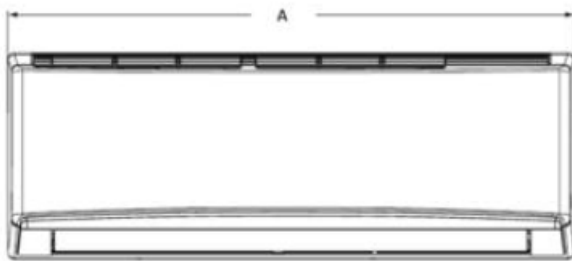


DIMENSIONAL SPECIFICATIONS

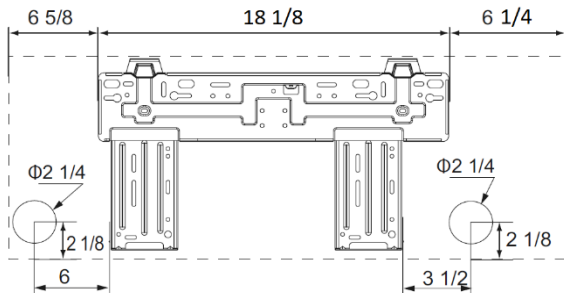
INDOOR UNIT DIMENSIONS

Model No: LIVV09HP230V1AH

Units: inch



Dimensions	
A	31 1/8
B	10 3/4
C	7 7/8



Weight (Net/Gross) 19.8/24.3 lbs

Liquid Line Valve	1/4-in OD Flared
Gas Line Valve	3/8-in OD Flared
Drain Connector	5/8-in OD

Notes:

1. Recommended Interconnecting Cable Type 14 AWG 4 Stranded Copper Conductors THHN 600V Wire