



## QUICK START GUIDE

# HE105, HE205 Humidifier

This Quick Start Guide is sized to serve as a duct template for the HE205.

Cut along the dashed line to create a duct template for the HE105.

### WARNING

#### Personal Injury Hazard

Can cause electrical shock and injury from moving parts.

Disconnect power and shut off water supply before removing cover.

#### Hazardous Voltage

Can cause personal injury or equipment damage.

Do not cut or drill into any air conditioning or electrical accessory.

### CAUTION

#### Chemical Hazard

Can cause personal injury or equipment damage.

Do not use any line connected to an air conditioner.

Do not use gas line.

#### Temperature and Static Pressure Hazard

Can cause property or equipment damage.

Locate humidifier where ambient temperature is between 41 and 113 °F (5 to 45 °C).

Do not install humidifier where freezing temperatures could occur.

Be sure supply plenum static pressure is no greater than 0.4 in. wc and water pressure is no greater than 120 psi.

#### Sharp Edges Installation Hazard

Can cause personal injury.

Wear gloves and safety glasses.

#### Included in the box:

- Humidifier
- H6062 Humidistat
- Transformer

#### Canadian "C" models also include:

- 6 in. dia. bypass ducting (24 in.)
- 18 gauge thermostat wire (20 ft.)
- 1/4 in. (6.35 mm) OD feed water tubing (20 ft.)
- 1/2 in. (12.7 mm) ID drain tubing (10 ft.)
- Saddle valve

#### Tools Required:

- Tin snip
- Screwdriver
- Pliers
- Adjustable or open-end wrench
- Drill
- Level
- 3/4 in. (19 mm) sheet metal drill bit

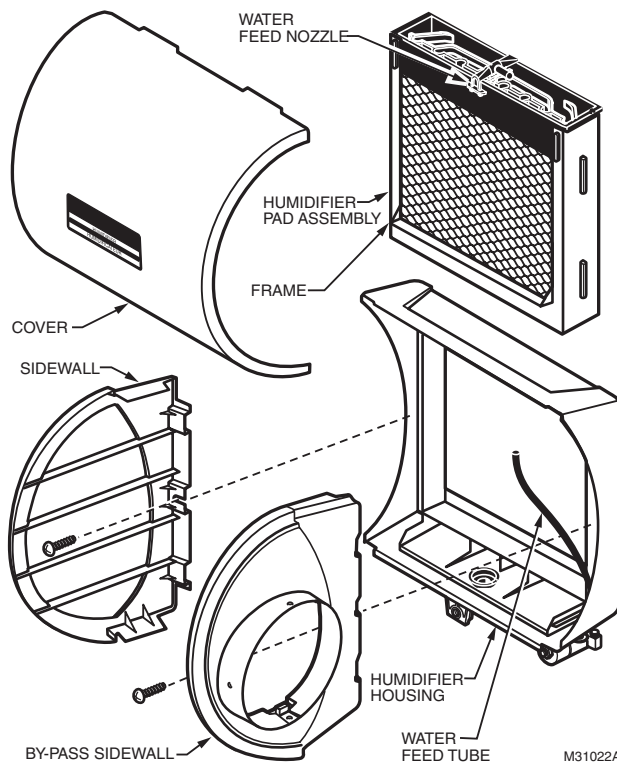
## Installation

1. Turn off power to the air handling system at the circuit breaker.
2. Draw a level line on the plenum in the selected location.

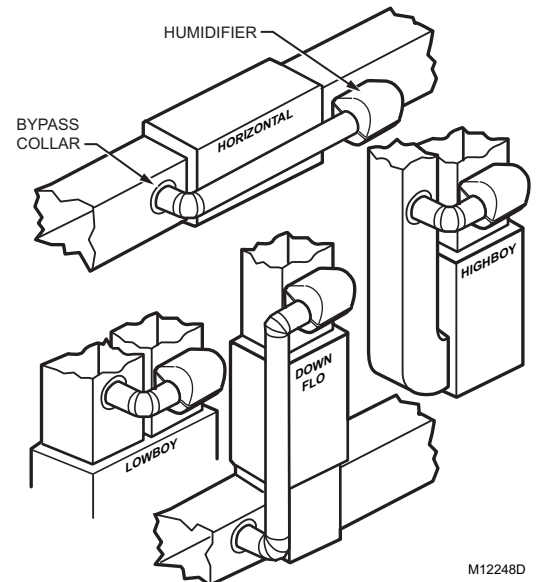
### IMPORTANT

Be sure the mounting template is level before marking. Use of a small level is recommended.

3. Tape the correct template in position and trace around the template.
4. Remove the template and carefully cut the opening with tin snips.
5. Disassemble the humidifier; remove the cover and take out the humidifier pad assembly.
6. Make sure the humidifier housing is level, then position it in the opening so the plastic tabs are in place on the lower sheet metal edge of the opening. Use pliers, as necessary, to flatten cut edges.
7. Secure the humidifier housing to the opening at the top and bottom using sheet metal screws.
8. Reassemble humidifier side plates to customize the orientation for your specific install. The side plate with the humidifier port needs to be on the side of the humidifier that is closest to the bypass ducting. Be sure to open the bypass flap for use and close it when the humidifier is not used.
9. Slide bypass duct over the humidifier port on the HE105/HE205, making sure that the flex duct advances past the raised plastic tabs on the port. These tabs will help to hold the flex duct in place. Verify that the damper blade has adequate clearance to move back and forth between the closed and open positions. Secure the flex duct in place with the plastic connector strap.
10. Seal the duct connections with foil tape. Seal both 1) the connection between the starter collar end of the flex duct and the home's duct work and 2) the end of the flex duct to the humidifier over the top of the connector strap.
11. Reinstall the humidifier pad assembly in the humidifier housing.
12. Hinge the cover in place and secure with the thumbscrew located at the bottom of the cover.
13. Turn off water supply and tap into a water line.
14. Use 1/4 in. O.D. copper tubing and connect to inlet side of solenoid valve via a compression fitting or Resideo Quick Connect fitting.
15. Connect a 1/2 in. (13 mm) drain tube to the humidifier drain fitting and run to a suitable drain.



### Typical Installation Locations



Cut along dashed line to create a template for the HE105.  
Use the full sheet for the HE205



## Wiring

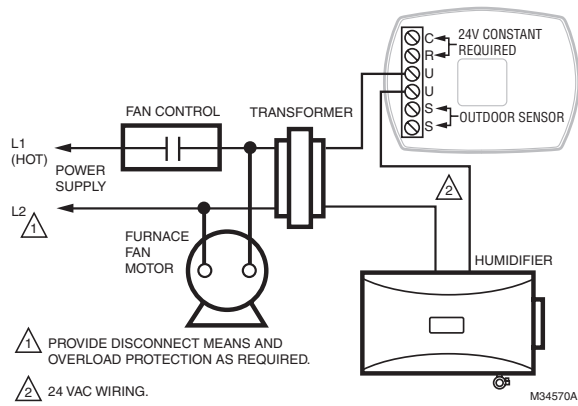


Fig. 1. Wiring H6062 to humidifier with Fan Interlock.

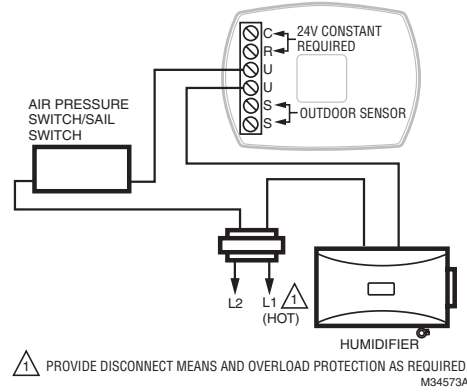


Fig. 2. Wiring HumidiPRO in line with air proving device.

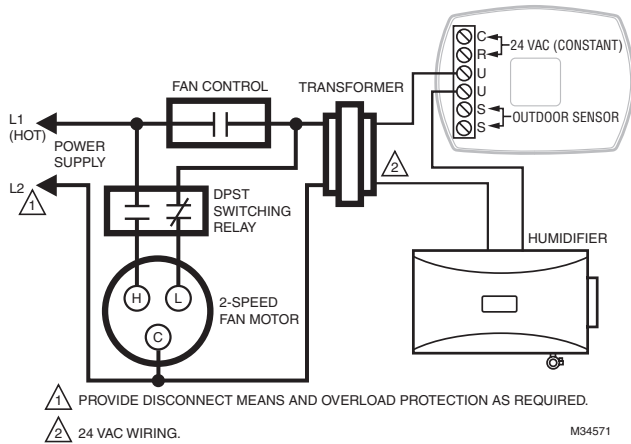


Fig. 3. Wiring HumidiPRO with 2-speed fan motor.\*

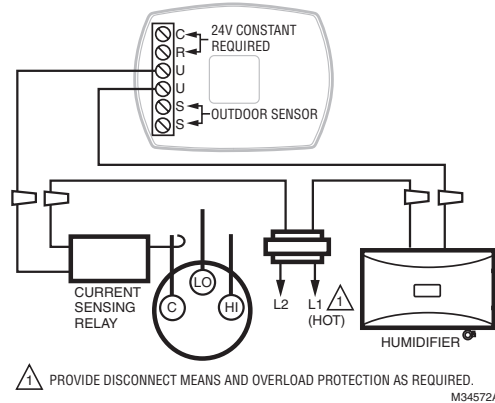


Fig. 4. Wiring HumidiPRO with current-sensing relay.

\*When a thermostat with IAQ control is used instead of a humidistat, it simplifies the wiring circuit. The thermostat U contacts are installed in place of the H6062 from Fig. 3 and the sail switch is removed from the circuit. No special wiring of the transformer primary, sail switch, or relay is needed.

### CHECKOUT

- Humidifier is level.
- Control wiring was reviewed using circuit diagram.
- Feed line has no kinks.
- Drain line slopes continuously down and ends at floor drain.
- Water hose inside humidifier is connected to PerfectFLO™ water distribution tray.

### Follow these steps to check operation:

1. Turn on power and water supply
2. Ensure water supply is fully opened.
3. Turn the humidistat to up to call for humidity and turn on the heat by setting the thermostat to 10 °F (6 °C) above room temperature.

### IMPORTANT

*The furnace blower must be on to activate the humidifier.*

4. Make sure that water is flowing out of the drain hose.
5. Check for leaks.
6. Reset the thermostat and humidistat to a comfortable setting for automatic operation. (35% RH is recommended.)

### Specifications

	HE105	HE205
<b>Size</b> length × width × depth	15.16 × 16.57 × 9.47 in. (385 × 421 × 240 mm)	18.30 × 17.11 × 9.59 in. (465 × 434 × 243 mm)
<b>Duct Opening</b> height × width	9.43 × 9.28 in. (240 × 236 mm)	12.63 × 9.68 in. (321 × 246 mm)
<b>Replacement Pad</b>	HC22	HC26
<b>Pad Size</b>	10 × 9.5 × 1.5 in. (254 × 241 × 38.1 mm)	13.125 × 10 × 1.5 in. (333 × 254 × 38.1 mm)
<b>Evaporation Output</b>	12 GPD	17 GPD
<b>Orifice Output</b>	.02 in. (0.5 mm)	
<b>Flow Rate at Nozzle</b>	4.7 GPH (18 L/hr.) under 120 psi	
<b>Operating Ambient Temperature</b>	41 to 113 °F 5 to 45 °C	
<b>Power Supply</b>	24 VAC / 60 Hz.	
<b>Power Consumption</b>	7 Watts with 24 Vrms	
<b>Water Pressure</b>	40 to 120 psi.	

### NEED HELP?

For assistance with this product please visit [honeywellhome.com](http://honeywellhome.com) or call Customer Care toll-free at 1-800-468-1502.