



# VR8215S,T Direct Ignition Combination Gas Controls

## INSTALLATION INSTRUCTIONS

### APPLICATION

The Trade VR8215S,T Direct Ignition Combination Gas Controls are used in gas-fired appliances with up to 150 ft<sup>3</sup>/hr capacity at 1 in. wc pressure drop on natural gas. They have been optimized for direct ignition applications and include a switch and a pressure regulator.

- Valve capacities are shown in Table 1.
- Table 2 provides gas capacity conversion factors.
- For suffix letter designation, see Table 3.

**Table 1. Valve Capacity.<sup>a</sup>**

Model	Size Inlet x Outlet (in. NPT)	AGA Certified Capacity for Natural Gas		AGA Certified Minimum Regulation for Natural Gas		AGA Certified Maximum Regulation for Natural Gas	
		ft <sup>3</sup> /hr	m <sup>3</sup> /hr	ft <sup>3</sup> /hr	m <sup>3</sup> /hr	ft <sup>3</sup> /hr	m <sup>3</sup> /hr
VR8215	1/2 x 1/2	150	4.25	15 <sup>b</sup>	0.42	200	5.66

<sup>a</sup> Capacity based on 1000 Btu/ft<sup>3</sup>, 0.64 sp gr natural gas at 1 in. wc pressure drop (37.3 MJ/m<sup>3</sup>, 0.64 sp gr natural gas at 0.25 kPa pressure drop).

<sup>b</sup> Minimum regulation for LP gas is 30,000 Btu/h (0.85 m<sup>3</sup>/hr).

**Table 2. Gas Capacity Conversion Factor.**

Gas	Specific Gravity	Multiply Listed Capacity By
Manufactured	0.60	0.516
Mixed	0.70	0.765
Propane	1.53	1.62

**Table 3. Model Number Suffix Letter Designation.**

Model Number Suffix Letter	Pressure Regulator Type
S	Standard
T	Slow Opening



# SPECIFICATIONS

**Body Pattern:** Straight through; see Table 1 for inlet and outlet size.

**Electrical Ratings:**  
Voltage and Frequency: 24 Vac, 50/60 Hz.  
Current Draw: 0.5A.

**Field Wiring:**  
2-1/4 in. spade quick-connect terminals.

**Capacity:** See Table 1.

**Conversion:**  
Use conversion factors in Table 2 to convert capacities for other gases.

**Regulation Range:** See Table 7.

**Natural-LP Gas Conversion Kits:** See Table 4.

**Approvals:**  
CSA Design Certificate #112395.  
(-40 °F to +175 °F; -40 °C to +79 °C)  
Australian Gas Association Certificate #7960.  
(-20 °C to +79 °C only)

**Outlet:** Class 2, Grade 20 pressure regulator

**Auto shutoff valve function:** Class 3

**Table 4. Natural-LP Gas Conversion Kits.**

Model Number Suffix Letter	Kit to Convert Natural Gas to LP	Kit to Convert LP to Natural Gas
S, T	396221	396222

**Table 5. Replacement Part Cross-Reference.**

Trade Replacements (Double-Check Specifications Before Replacement)		Competitive Replacement			
Universal Service Part	Direct Service Part Replacement	Resideo			
		White-Rogers	Robertshaw		
VR8215	VR8215S1503	VR8205S2262, VR8205S2270, VR8205S2296, VR8205S2338, VR8205S2353, VR8205S2361, VR8205S2379, VR8205S2395, VR8205S2437, VR8205S2858, VR8205S2882, VR8205S5802, VR8205S5828, VR8205S5836, VR8205S5844, VR8215S1222, VR8215S1263, VR8215S5207, VR8215S5215, VR8205A2008, VR8205A2016, VR8205A2024, VR8205A2065, VR8205A2081, VR8205A2131, VR8205A2263, VR8205A2800, VR8205M1080, VR8205M1106, VR8205M1122, VR8205M1130, VR8205M1148, VR8205M1155, VR8205M1163, VR8205M2310, VR8205M2401, VR8205M2476, VR8205M2484, VR8205M2831, VR8205M2864, VR8205M2872, VR8205M2880, VR8205M5024, VR8205M5032	36G22-214, 36J22-214, 36G22-207		
	VR8215T1502	VR8205H1003, VR8205H1011, VR8205H2605, VR8205H2621, VR8205K1157, VR8205K1173, VR8205K2247, VR8205K2593, VR8205K2619, VR8205T5801, VR8215T1205, VR8215T1239, VR8215T5206, VR8215T5214			

## PLANNING THE INSTALLATION

### WARNING

**Fire or Explosion Hazard.**  
**Can cause property damage, severe injury, or death.**  
 Follow these warnings exactly:

1. Plan the installation as outlined below.
2. Plan for frequent maintenance as described in the Maintenance section.

Heavy demands are made on the controls when direct ignition systems are used on central heating equipment in barns, greenhouses, and commercial properties and on heating appliances such as commercial cookers, agricultural equipment, industrial heating equipment and pool heaters.

Special steps may be required to prevent nuisance shutdowns and control failure due to frequent cycling, severe environmental conditions related to moisture, corrosive chemicals, dust or excessive heat. These applications require Resideo Engineering review; contact your Resideo Sales Representative for assistance.

Review the following conditions that can apply to your specific installation and follow the precautions suggested.

### Frequent Cycling

This control is designed for use on appliances that typically cycle three to four times an hour only during the heating season. In year-around applications with greater cycling rates, the control can wear out more quickly. Perform a monthly checkout.

### Water or Steam Cleaning

If a control gets wet, replace it. If the appliance is likely to be cleaned with water or steam, protect (cover) the control and wiring from water or steam flow. Mount the control high enough above the bottom of the cabinet so it does not get wet during normal cleaning procedures.

### High Humidity or Dripping Water

Dripping water can cause the control to fail. Never install an appliance where water can drip on the control. In addition, high ambient humidity can cause the control to corrode and fail. If the appliance is in a humid atmosphere, make sure air circulation around the control is adequate to prevent condensation. Also, regularly check out the system.

### Corrosive Chemicals

Corrosive chemicals can attack the control, eventually causing a failure. If chemicals are used for routine cleaning, avoid contact with the control. Where chemicals are suspended in air, as in some industrial or agricultural applications, protect the control with an enclosure.

## Dust or Grease Accumulation

Heavy accumulations of dust or grease can cause the control to malfunction. Where dust or grease can be a problem, provide covers for the control to limit contamination.

## Heat

Excessively high temperatures can damage the control. Make sure the maximum ambient temperature at the control does not exceed the rating of the control. If the appliance operates at very high temperatures, use insulation, shielding, and air circulation, as necessary, to protect the control. Proper insulation or shielding should be provided by the appliance manufacturer; verify proper air circulation is maintained when the appliance is installed.

## INSTALLATION

### When Installing this Product...

1. Read these instructions carefully. Failure to follow them could damage the product or cause a hazardous condition.
2. Check the ratings given in the instructions and on the product to make sure the product is suitable for your application.
3. Installer must be a trained, experienced service technician.
4. After installation is complete, check out product operation as provided in these instructions.



### WARNING

**Fire or Explosion Hazard.**  
**Can cause property damage, severe injury or death.**

Follow these warnings exactly:

1. Disconnect power supply before wiring to prevent electrical shock or equipment damage.
2. To avoid dangerous accumulation of fuel gas, turn off gas supply at the appliance service valve before starting installation, and perform Gas Leak Test after installation is complete.
3. Always install a sediment trap in gas supply line to prevent contamination of gas control.
4. Do not force the on-off switch. Use only your fingers to operate the on-off switch. Never use any tools. If the electronic on-off switch does not operate by hand, the gas control should be replaced by a qualified service technician. Force or attempted repair may result in fire or explosion.
5. Gas will leak if installed backwards.



### CAUTION

**Equipment Damage Hazard.**  
**Can burn out thermostat or transformer.**

Applying a jumper across (or shorting) the valve coil terminals, even temporarily, can burn out the thermostat or transformer.

Follow the appliance manufacturers instructions if available; otherwise use these instructions as a guide.

**IMPORTANT**

These gas controls are shipped with protective seals over the inlet and outlet tapings. Do not remove the seals until ready to install adapters or connect the piping.

## Converting Gas Control from Natural Gas to LP Gas (or LP Gas to Natural Gas)

### **⚠ WARNING**

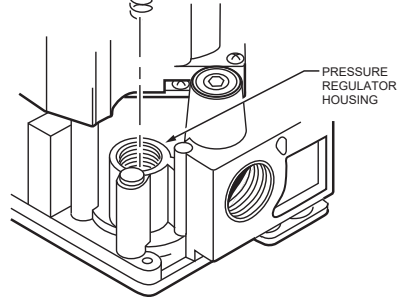
**Fire Or Explosion Hazard.**  
Can cause property damage, severe injury or death.

1. Always change the main orifices when converting from natural to LP gas or from LP to natural gas. Carefully follow appliance manufacturer specifications and instructions to assure proper appliance conversion.
2. Gas controls are factory-set for natural (and manufactured) or LP gas. Do not attempt to use a gas control set for natural (manufactured) gas on LP gas, or a gas control set for LP gas on natural (manufactured) gas.

Controls with standard and slow-opening regulators (model numbers with suffix S or T) can be converted from one gas to the other with a conversion kit. See Table 4 for the conversion kit part number.

1. Turn off gas supply at the appliance service valve.
2. Remove regulator cap screw and save. See Fig. 5.
3. Remove the pressure regulator adjusting screw. See Fig. 1.
4. Remove the existing spring.
5. Insert the replacement spring. See Fig. 1.
6. Install the new plastic pressure regulator adjustment screw.
7. Check the regulator setting using a manometer or by clocking the gas meter. See "Check and Adjust Gas Input and Burner Ignition" on page 7.
8. Reinstall the regulator cap screw.
9. Mount conversion label on the gas control.

		COLOR CODE FOR	
		LP GAS	NATURAL GAS
⚠	PRESSURE REGULATOR ADJUSTING SCREW	BLACK	BLACK
	SPRING	RED	STAINLESS STEEL



⚠ REUSE EXISTING METAL CAP SCREW.

M20046B

**Fig. 1. Converting between LP and natural gas.**

## Install Bushings To Control

If bushings are being installed on the control, mount them as follows:

### Bushings

1. Remove the seal over the control inlet or outlet.
2. Apply a moderate amount of good quality pipe compound to the bushing, leaving two end threads bare. On an LP installation, use compound that is resistant to LP gas. See Fig. 2.

NOTE: Do not use Teflon tape.

3. Insert the bushing in the control and carefully thread the pipe into the bushing until tight. Complete the instructions below for installing the piping, installing the control, connecting the wiring. Make sure the leak test you perform on the control after completing the installation includes leak testing the bushings.

## Location

The gas controls are mounted in the appliance vestibule on the gas manifold. If this is a replacement application, mount the gas control in the same location as the old control.

Locate the combination gas control where it cannot be affected by steam cleaning, high humidity, or dripping water, corrosive chemicals, dust or grease accumulation or excessive heat.

To assure proper operation, follow these guidelines:

- Locate gas control in a well-ventilated area.
- Mount gas control high enough above cabinet bottom to avoid exposure to flooding or splashing water.
- Assure the ambient temperature does not exceed the ambient temperature ratings for each component.

- Cover gas control if appliance is cleaned with water, steam, or chemicals or to avoid dust and grease accumulation.
- Avoid locating gas control where exposure to corrosive chemical fumes or dripping water are likely.

### Install Piping to Control

All piping must comply with local codes and ordinances or with the National Fuel Gas Code (ANSI Z223.1, NFPA No. 54), whichever applies. Tubing installation must comply with approved standards and practices.

1. Use new, properly reamed pipe that is free from chips. If tubing is used, make sure the ends are square, deburred and clean. All tubing bends must be smooth and without deformation.
2. Run pipe or tubing to the control. If tubing is used, obtain a tube-to-pipe coupling to connect the tubing to the control.
3. Install a sediment trap in the supply line to the control. See Fig. 3.

### Install Control

1. Can be mounted in any direction.
2. Mount so the gas flow is in the direction of the arrow on the bottom of the control.

NOTE: Gas valve will leak if installed backwards.

3. Thread the pipe the amount shown in Table 6 for insertion into control or adapters. Do not thread pipe too far. Valve distortion or malfunction can result if the pipe is inserted too deeply.
4. Apply a moderate amount of good quality pipe compound (do not use Teflon tape) only to the pipe, leaving two end threads bare. On LP installations, use a compound resistant to LP gas. See Fig. 2.
5. Remove the seals over the control inlet and outlet if necessary.
6. Connect the pipe to the control inlet and outlet. Use a wrench on the hex end of the control. See Fig. 4.

Table 6. NPT Pipe Thread Length.<sup>a</sup>

Pipe Size	Thread Pipe This Amount	Maximum Depth Pipe can be inserted into Control
3/8 <sup>b</sup>	9/16 (14)	3/8 (9)
1/2	3/4 (19)	1/2 (13)

<sup>a</sup> All dimensions are in inches (mm).

<sup>b</sup> OK when bushings are used.

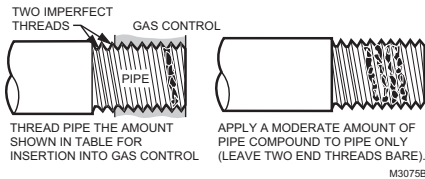
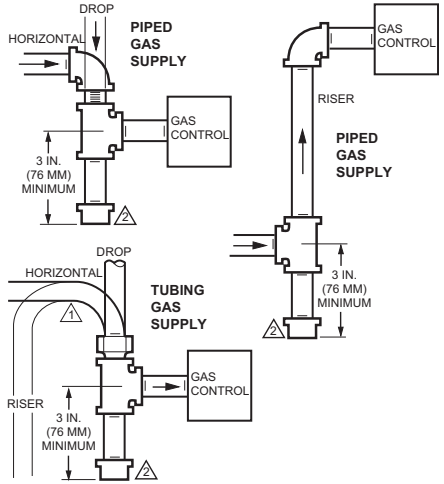


Fig. 2. Use moderate amount of pipe compound.



△ ALL BENDS IN METALLIC TUBING SHOULD BE SMOOTH.

△ CAUTION: SHUT OFF THE MAIN GAS SUPPLY BEFORE REMOVING END CAP TO PREVENT GAS FROM FILLING THE WORK AREA. TEST FOR GAS LEAKAGE WHEN INSTALLATION IS COMPLETE. M3077

Fig. 3. Sediment trap installation.

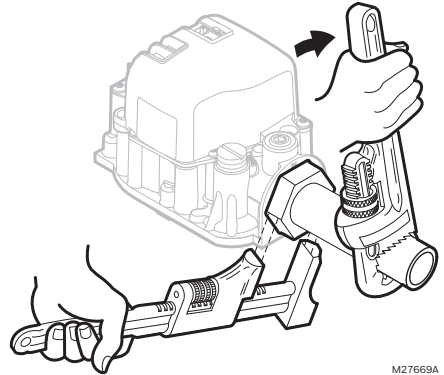


Fig. 4. Proper use of wrench on gas control.

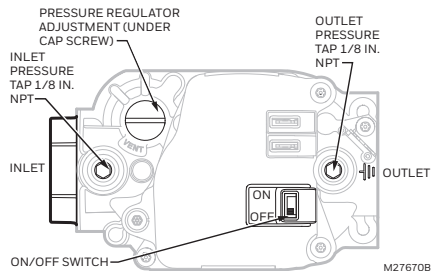


Fig. 5. Top view of gas control.

## Wiring

Follow the wiring instructions furnished by the appliance manufacturer, if available, or use the general instructions provided below. When these instructions differ from the appliance manufacturer, follow the appliance manufacturer instructions.

### IMPORTANT

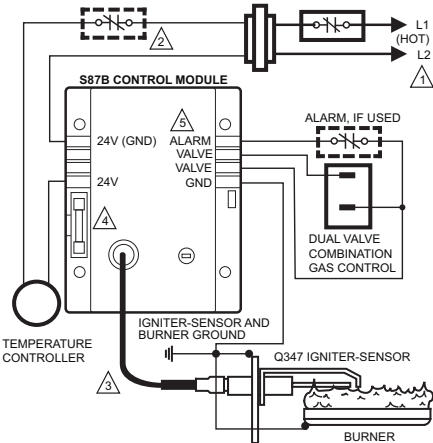
All wiring must comply with applicable electrical codes and ordinances.

## ⚠️ WARNING

**Electrical Shock Hazard or Equipment Damage Hazard.**  
Can cause serious injury, death or equipment damage.

Disconnect power supply before making wiring connections to prevent electrical shock or equipment damage.

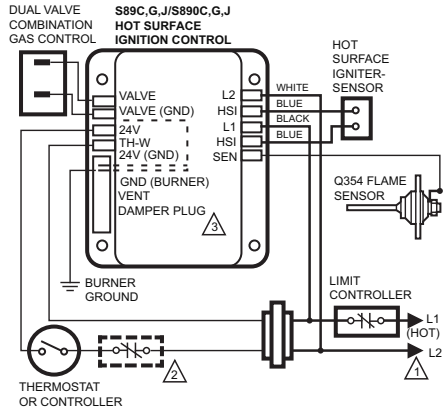
1. Check the power supply rating on the gas control and make sure it matches the available supply. Install a transformer and other controls as required.
2. Connect the control circuit to the gas control terminals. See Fig. 6 and 7.
3. Adjust thermostat heat anticipator to 0.50A rating stamped on valve label.



- ⚠️ POWER SUPPLY. PROVIDE DISCONNECT MEANS AND OVERLOAD PROTECTION AS REQUIRED.
- ⚠️ ALTERNATE LIMIT CONTROLLER LOCATION.
- ⚠️ MAXIMUM IGNITER-SENSOR CABLE LENGTH: 3 ft. (0.9 m) OR LESS.
- ⚠️ 3A REPLACEABLE FUSE.
- ⚠️ ALARM TERMINAL PROVIDED ON SOME MODELS.

M27697

**Fig. 6. Typical wiring connections for 24 volt control in S87 Direct Ignition System.**



- ⚠️ POWER SUPPLY. PROVIDE DISCONNECT MEANS AND OVERLOAD PROTECTION AS REQUIRED. MAKE SURE L1 AND L2 ARE NOT REVERSED; THIS WOULD PREVENT FLAME DETECTION.
- ⚠️ ALTERNATE LIMIT CONTROLLER LOCATION.
- ⚠️ SEN TERMINAL AND Q354 FLAME SENSOR ON D MODELS ONLY.

M27628

**Fig. 7. Typical wiring connections with 24 volt control in S89 Direct Ignition System.**

## STARTUP AND CHECKOUT

### On-Off Switch

The on-off switch settings are as follows:

- OFF: Prevents main gas flow through the control.
- ON: Permits gas to flow into the control body. Under control of the thermostat and direct ignition module, gas can flow to the main burners.

NOTE: Controls are shipped with the electronic on-off switch in the ON position.

### Perform Gas Leak Test

## ⚠️ WARNING

**Fire or Explosion Hazard.**  
Can cause property damage, severe injury or death.

Perform Gas Leak Test every time work is done on a gas system.


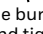
### IMPORTANT

Do not spray soap and water solution on the gas control. This can damage the control. Do not use an excessive amount of soap and water solution to perform the gas leak test. Apply only to pipe thread areas.

### Gas Leak Test

1. Paint pipe connections upstream of the gas control with rich soap and water solution. Bubbles indicate a gas leak.
2. If a leak is detected, tighten the pipe connections.

3. Light the main burner. Stand clear of the main burner while lighting to prevent injury caused from hidden leaks that could cause flashback in the appliance vestibule.
4. With the main burner in operation, paint the pipe joints (including bushings) and the control inlet and outlet with rich soap and water solution.
5. If another leak is detected, turn the gas control to off, tighten the joints and pipe connections.
6. Replace the part if a leak cannot be stopped.

4. If necessary, adjust the pressure regulator to match the appliance rating. See Table 7 for factory-set nominal outlet pressure and adjustment range.
  - a. Remove the pressure regulator adjustment cap screw.
  - b. Using a screwdriver, turn the inner adjustment screw (Fig. 5) clockwise  to increase or counterclockwise  to decrease the gas pressure to the burner.
  - c. Always replace the cap screw and tighten firmly to prevent gas leakage.
5. If the desired outlet pressure or flow rate cannot be achieved by adjusting the gas control, check the gas control inlet pressure using a manometer at the inlet pressure tap of the gas control. If the inlet pressure is in the nominal range (see Table 7), replace the gas control. Otherwise, take the necessary steps to provide proper gas pressure to the control.

## Turn On System

Push the on-off switch to the ON position.

## Turn On Main Burner

Follow appliance manufacturer instructions or turn thermostat up to call for heat.

## Check and Adjust Gas Input and Burner Ignition

### IMPORTANT

1. Do not exceed input rating stamped on appliance nameplate, or manufacturer's recommended burner orifice pressure for size orifice(s) used. Make certain primary air supply to main burner is properly adjusted for complete combustion. Follow appliance manufacturer instructions.
2. IF CHECKING GAS INPUT BY CLOCKING GAS METER: Make certain there is no gas flow through the meter other than to the appliance being checked. Other appliances must remain off with the pilots extinguished (or deduct their consumption from the meter reading). Convert flow rate to Btuh as described in form 70-2602, Gas Controls Handbook, and compare to Btuh input rating on appliance nameplate.
3. IF CHECKING GAS INPUT WITH MANOMETER: Make sure the gas control is in the OFF position before removing outlet pressure tap plug to connect manometer (pressure gauge). Also move the gas control switch back to the OFF position when removing the gauge and replacing the plug. Before removing inlet pressure tap plug, shut off gas supply at the manual valve in the gas piping to the appliance or, for LP, at the tank. Also shut off gas supply before disconnecting manometer and replacing plug. Repeat Gas Leak Test at plug with main burner operating.

NOTE: Check the inlet pressure before adjusting the pressure regulator.

## Standard and Slow-Opening (S and T) Models

1. Carefully check the main burner lightoff. Make sure that the main burner lights smoothly and that all ports remain lit.
2. Check the full rate manifold pressure listed on the appliance nameplate. Gas control full rate outlet pressure should match this rating.
3. With main burner operating, check the control flow rate using the meter clocking method or check pressure using a manometer connected to the outlet pressure tap on the control. See Fig. 5.

## Check Safety Lockout (Slow-Opening Controls Only)

1. With the system power off and the thermostat set to call for heat, manually shut off the gas supply.
2. Energize ignition control and start timing safety lockout time. When spark ignition terminates, stop timing.

NOTE: When using the VR8215T, the specified ignition control safety lockout time must exceed 8.5 seconds for the system to function properly.

3. After spark cutoff, manually reopen the gas control switch. No gas should flow to the main burner.
4. Reset the system by adjusting the thermostat below room temperature, wait 30 seconds, and then move the thermostat setting up to call for heat. Normal ignition should occur.

**Table 7. Pressure Regulator Specification Pressures in inches wc (kPa).**

Model Type	Type of Gas	Nominal Inlet Pressure Range	Factory Set Nominal Outlet Pressure	Setting Range
Standard, Slow	NAT	5.0–7.0 (1.2–1.7)	3.5 (0.9)	3.0–5.0 (0.8–1.3)
	LP	12.0–14.0 (3.0–3.5)	10.0 (2.5)	8.0–12.0 (2.0–3.0)

## Check Safety Shutdown Performance



### WARNING

**Fire or Explosion Hazard.**  
Can cause property damage, severe injury or death.

Perform the safety shutdown test any time work is done on a gas system.

**NOTE:** Read steps 1 through 7 before starting, and compare to the safety shutdown or safety lockout tests recommended for the direct ignition (DI) module. Where different, use the procedure recommended for the ignition module.

1. Turn off gas supply.
2. Set thermostat or controller above room temperature to call for heat.
3. Watch for ignition spark or for glow at hot surface igniter either immediately or following pre-purge. See Direct Ignition module specifications.
4. Time the length of spark operation. See the Direct Ignition module specifications.
5. After the module locks out, open the manual gas cock and make sure no gas is flowing to the main burner.
6. Set the thermostat below room temperature and wait one minute.
7. Operate system through one complete cycle to make sure all controls operate properly.

## MAINTENANCE

### WARNING

**Fire or Explosion Hazard.**  
**Can cause property damage, severe injury, or death.**

Do not disassemble the gas control; it contains no replaceable components. Attempted disassembly, repair, or cleaning can damage the control, resulting in gas leakage.

Regular preventive maintenance is important in applications in the commercial cooking and agricultural and industrial industries that place a heavy load on system controls because:

- In many such applications, particularly commercial cooking, the equipment operates 100,000 to 200,000 cycles per year. Such heavy cycling can wear out the gas control in one to two years.
- Exposure to water, dirt, chemicals and heat can damage the gas control and shut down the control system.

The maintenance program should include regular checkout of the control as outlined in the Startup and Checkout section, and the control system as described in the appliance manufacturer literature.

Maintenance frequency must be determined individually for each application. Some considerations are:

- Cycling frequency. Appliances that may cycle 20,000 times annually should be checked monthly.
- Intermittent use. Appliances that are used seasonally should be checked before shutdown and again before the next use.
- Consequence of unexpected shutdown. Where the cost of an unexpected shutdown would be high, the system should be checked more often.
- Dusty, wet, or corrosive environments. Since these environments can cause the gas control to deteriorate more rapidly, the system should be checked more often.

The system should be replaced if:

- It does not perform properly on checkout or troubleshooting.
- The gas control is likely to have operated for more than 200,000 cycles.
- The control is wet or looks as if it has been wet.

## SERVICE

### WARNING

**Fire or Explosion Hazard.**  
**Can cause property damage, severe injury or death.**

Do not disassemble the gas control; it contains no replaceable components. Attempted disassembly, repair, or cleaning can damage the control, resulting in gas leakage.

### CAUTION

**Equipment Damage Hazard.**  
**Can burn out thermostats or other components in the control string.**

Never apply a jumper across (or short) the valve coil terminals, even temporarily.

After servicing, verify proper system operation.

## If Main Burner Does Not Come On With Call For Heat

1. Confirm the gas control switch is in the ON position.
2. Adjust thermostat several degrees above room temperature.
3. Using ac voltmeter, measure across the quick connect terminals at gas control.
4. If voltage is incorrect or not present, check control circuit for proper operation.
5. If proper voltage is present, replace gas control.



# INSTRUCTIONS TO THE HOMEOWNER

## WARNING

**Fire or Explosion Hazard.**  
**Can cause property damage, severe injury, or death.**

Follow these warnings exactly:

1. Before lighting, smell around the appliance for gas. Be sure to smell next to the floor because LP gas is heavier than air. If you smell gas:
  - a. Turn off the gas supply at the appliance service valve. On LP gas systems, turn off the gas supply at the gas tank.
  - b. Do not light any appliances in the house.
  - c. Do not touch electrical switches or use the phone.
  - d. Leave the building and use a neighbor's phone to call your gas supplier.
  - e. If you cannot reach your gas supplier, call the fire department.
2. Replace the gas control in the event of any physical damage, tampering, bent terminals, missing or broken parts, stripped threads, or evidence of exposure to heat.

### **IMPORTANT**

*Follow the operating instructions provided by the heating appliance manufacturer. The information below describes a typical control application, but the specific controls used and the procedures outlined in your appliance manufacturer instructions can differ, requiring special instructions.*

## To Turn ON Appliance

### **STOP! Read the Warnings Above Before Proceeding.**

1. The lighting sequence on this appliance is automatic; *do not attempt to manually light the main burner.*
2. If the furnace does not come on when the thermostat is set several degrees above room temperature, set the thermostat to its lowest setting to reset the safety control.
3. Remove the burner access panel if provided on your appliance.
4. Push the on-off switch to the OFF position.
5. Wait five minutes to allow any gas in the combustion chamber to vent. Then if you smell gas, STOP! Follow Step 1 in the Warning above. If you do not smell gas, continue with the next step.
6. If you do not smell gas, push the electronic on-off switch to the ON position.
7. Replace the burner access panel.
8. Reset the thermostat to the desired temperature.
9. If the appliance does not turn on, turn the gas control switch to OFF and contact a qualified service technician for assistance.

## Turning Off the Appliance

### **Vacation Shutdown**

Set the thermostat to the desired room temperature while you are away.

### **Complete Shutdown**

1. Turn off power to the appliance.
2. Turn off the gas supply to the appliance.
3. Push the on-off switch to the OFF position. Appliance will completely shut off.
4. Follow the procedure in the Instructions to the Homeowner section above to resume normal operation.



Resideo Technologies, Inc.  
1985 Douglas Drive North, Golden Valley, MN 55422  
1-800-468-1502

[www.resideo.com](http://www.resideo.com)

34-00006EF-03 M.S. Rev. 04-20 | Printed in United States

© 2020 Resideo Technologies, Inc. All rights reserved.

This product is manufactured by Resideo Technologies, Inc. and its affiliates.

Tous droits réservés. Ce produit est fabriqué par Resideo Technologies, Inc. et ses sociétés affiliées.



# VR8215S,T Régulateurs à gaz combinés à allumage direct

## NOTICE D'INSTALLATION

### APPLICATION

Les régulateurs à gaz combinés à allumage direct VR8215S, T Trade sont utilisés dans les appareils à gaz d'une capacité de 150 pi<sup>3</sup>/h maximum avec chute de pression de 1 po c.e. Ils ont été optimisés pour les applications à allumage direct et incluent un interrupteur et un régulateur de pression.

- Les capacités de la vanne sont illustrées dans le Table 1.
- Le Table 2 fournit les facteurs de conversion des capacités de gaz.
- Pour le suffixe de référence, consulter le Table 3.

**Tableau 1. Capacité de la vanne.<sup>a</sup>**

Modèle	Taille (entrée x sortie), (po NPT)	Capacité certifiée AGA pour le gaz naturel		Régulation minimum certifiée AGA pour le gaz naturel		Régulation maximum certifiée AGA pour le gaz naturel	
		pi <sup>3</sup> /h	m <sup>3</sup> /hr	pi <sup>3</sup> /h	m <sup>3</sup> /hr	pi <sup>3</sup> /h	m <sup>3</sup> /hr
		VR8215	1/2 x 1/2	150	4.25	15 <sup>b</sup>	0.42

<sup>a</sup> Capacité basée sur 1000 Btu/pi<sup>3</sup>, gravité spécifique de 0,64, gaz naturel, chute de pression de 1 po c.e. (37,3 MJ/m<sup>3</sup>, gravité spécifique 0,64, gaz naturel et chute de pression de 0,25 kPa).

<sup>b</sup> Régulation minimum pour le gaz GPL est de 30 000 Btu/h (0,85 m<sup>3</sup>/h).

**Tableau 2. Facteur de conversion de capacité de gaz.**

Gaz	Densité	Multiplier la capacité indiquée par
Fabriqué	0,60	0,516
Mélangé	0,70	0,765
Propane	1,53	1,62

**Tableau 3. Suffixe de référence du numéro de modèle.**

Suffixe de référence du modèle	Type de régulateur de pression
S	Standard
T	Ouverture lente

## CARACTÉRISTIQUES

**Configuration du corps :** Passage direct; voir le Table 1 pour la taille d'entrée et de sortie.

**Caractéristiques électriques :**  
Tension et fréquence : 24 V c.a., 50/60 Hz.  
Appel de courant : 0,5 A.

**Câblage sur site :**  
Bornes rapides à cosse de ¼ po (6 mm)

**Capacité :** Voir le Table 1.

**Conversion :** Utiliser les facteurs de conversion du Table 2 pour convertir les capacités pour d'autres gaz.

**Plage de régulation :** Voir le Table 7.

**Nécessaires de conversion gaz naturel-GPL :** Voir le Table 4.

**Homologations :**  
Certificat de conception CSA n° 112395.  
-40 °C à +79 °C (-40 °F à +175 °F)  
Certificat no 7960 du Australian Gas Association.  
(-20 °C à +79 °C uniquement)

**Sortie :** Classe 2, régulateur de pression catégorie 20

**Fonction de vanne de coupure automatique :**  
Classe 3

**Tableau 4. Nécessaires de conversion gaz naturel-GPL.**

Suffixe de référence du modèle	Nécessaire de conversion gaz naturel-GPL	Nécessaire de conversion GPL-gaz naturel
S, T	396221	396222

**Tableau 5. Correspondance de pièce de rechange.**

Remplacements de la marque (vérifier les caractéristiques techniques avant de procéder au remplacement)		Remplacements d'autres marques		
Pièce de rechange universelle	Remplacement avec pièce de rechange directe	Resideo	White-Rogers	Robertshaw
VR8215	VR8215S1503	VR8205S2262, VR8205S2270, VR8205S2296, VR8205S2338, VR8205S2353, VR8205S2361, VR8205S2379, VR8205S2395, VR8205S2437, VR8205S2858, VR8205S2882, VR8205S5802, VR8205S5828, VR8205S5836, VR8205S5844, VR8215S1222, VR8215S1263, VR8215S5207, VR8215S5215, VR8205A2008, VR8205A2016, VR8205A2024, VR8205A2065, VR8205A2081, VR8205A2131, VR8205A2263, VR8205A2800, VR8205M1080, VR8205M1106, VR8205M1122, VR8205M1130, VR8205M1148, VR8205M1155, VR8205M1163, VR8205M2310, VR8205M2401, VR8205M2476, VR8205M2484, VR8205M2831, VR8205M2864, VR8205M2872, VR8205M2880, VR8205M5024, VR8205M5032	36G22-214, 36J22-214, 36G22-207	
	VR8215T1502	VR8205H1003, VR8205H1011, VR8205H2605, VR8205H2621, VR8205K1157, VR8205K1173, VR8205K2247, VR8205K2593, VR8205K2619, VR8205T5801, VR8215T1205, VR8215T1239, VR8215T5206, VR8215T5214		

## PRÉPARATION DE L'INSTALLATION

### AVERTISSEMENT

**Risque d'incendie ou d'explosion.  
Peut causer des dégâts et des blessures graves, voire mortelles.**

Respecter ces avertissements avec précision :

1. Planifier l'installation tel que décrit ci-dessous.
2. Prévoir un entretien fréquent, tel que décrit dans la section Entretien.

D'importantes exigences sont imposées sur les régulateurs lorsque des systèmes d'allumage direct sont utilisés sur des systèmes de chauffage central dans les granges, les serres et les installations commerciales, et sur les appareils de chauffage tels que les appareils de cuisson commerciaux, l'équipement agricole, l'équipement de chauffage industriel et les chauffages de piscine.

Des étapes spéciales sont requises pour éviter les coupures intempestives et les pannes de régulateur dues à des mises en marche et arrêts fréquents, des conditions environnementales rigoureuses liées à l'humidité, des produits chimiques corrosifs, de la poussière et une chaleur excessive. Ces applications nécessitent d'être révisées par le département d'ingénierie Resideo; contacter le représentant commercial de Resideo pour obtenir de l'aide.

Consulter les conditions suivantes pouvant s'appliquer à l'installation spécifique et suivre les précautions recommandées.

### Mises en marche et arrêts fréquents

Ce régulateur est conçu pour une utilisation sur les appareils dont les cycles n'ont lieu que trois ou quatre fois par heure durant la saison de chauffage. Pour les applications sur l'année entière avec des cadences plus importantes, le régulateur peut s'user plus rapidement. Effectuer une vérification mensuelle.

### Nettoyage à l'eau ou à la vapeur

Si le régulateur se mouille, le remplacer. Si l'appareil est susceptible d'être lavé à l'eau ou à la vapeur, protéger (couvrir) le régulateur et le câblage de l'eau ou de la vapeur. Monter le régulateur suffisamment haut au-dessus de l'armoire pour qu'il ne soit pas mouillé lors des procédures de nettoyage normales.

### Forte humidité ou dégouttement

Des dégouttements peuvent causer la panne du régulateur. Ne jamais installer un appareil où de l'eau peut s'égoutter sur le régulateur. Par ailleurs, une

haute humidité ambiante peut causer la corrosion et la panne du régulateur. Si l'appareil se trouve dans une atmosphère humide, s'assurer que la circulation d'air autour du régulateur est suffisante pour éviter la condensation. Vérifier également le système régulièrement.

### Produits chimiques corrosifs

Des produits chimiques corrosifs peuvent attaquer le régulateur, pouvant causer une panne. Si des produits chimiques sont utilisés pour le nettoyage de routine, éviter le contact avec le régulateur. Lorsque des produits chimiques sont en suspension dans l'air, comme dans certaines applications industrielles ou agricoles, protéger le régulateur dans un boîtier.

### Accumulation de poussière ou de graisse

Des accumulations importantes de poussière ou de graisse peuvent causer le dysfonctionnement du régulateur. Lorsque de la poussière ou de la graisse peuvent causer problème, couvrir le régulateur pour limiter la contamination.

### Chauffage

Des températures excessivement élevées peuvent endommager le régulateur. S'assurer que la température ambiante maximum autour du régulateur ne dépasse pas les conditions de température de fonctionnement du régulateur. Si l'appareil fonctionne à de très hautes températures, utiliser un isolant, une protection et assurer une circulation d'air adéquate pour protéger le régulateur. Une isolation ou une protection adéquate doit être fournie par le fabricant de l'appareil; vérifier qu'une circulation d'air adéquate est maintenue lorsque l'appareil est installé.

## INSTALLATION

### Lors de l'installation de ce produit...

1. Lire attentivement ces instructions. Le non-respect des instructions peut endommager le produit ou provoquer une situation dangereuse.
2. Vérifier les caractéristiques nominales indiquées dans les instructions et sur le produit pour s'assurer que le produit correspond bien à l'application prévue.
3. L'installateur doit être un technicien expérimenté ayant reçu la formation adéquate.
4. Une fois l'installation terminée, vérifier que le produit fonctionne comme indiqué dans ces instructions.

## ⚠️ AVERTISSEMENT

**Risque d'incendie ou d'explosion.  
Peut causer des dégâts et des blessures graves, voire mortelles.**

Respecter ces avertissements avec précision :

1. Débrancher l'alimentation avant le câblage pour éviter les chocs électriques et les dégâts de l'équipement.
2. Pour éviter une accumulation dangereuse de gaz combustible, couper l'alimentation au niveau de la vanne de service de l'appareil avant de commencer l'installation et effectuer le Test de fuite de combustible une fois l'installation terminée.
3. Toujours installer un collecteur de sédiments dans le tuyau d'alimentation de gaz pour éviter la contamination du régulateur.
4. Ne pas forcer sur l'interrupteur marche-arrêt. Utiliser uniquement les doigts pour activer l'interrupteur marche-arrêt. Ne jamais utiliser d'outils. Si l'interrupteur marche-arrêt électronique ne fonctionne pas manuellement, faire remplacer le régulateur par un technicien qualifié. Une tentative de réparation ou une utilisation forcée peuvent entraîner un incendie ou une explosion.
5. Le gaz fuira si installé à l'envers.

## ⚠️ MISE EN GARDE

**Risque de dégât matériel. Le thermostat ou le transformateur peuvent être grillés.**  
Le fait d'installer un cavalier ou de court-circuiter les bornes des serpentins de la vanne, même provisoirement, peut griller le thermostat ou le transformateur.

Suivre les instructions du fabricant de l'appareil le cas échéant, ou bien lire ces instructions pour s'en servir de guide.

### IMPORTANT

*Ces régulateurs à gaz sont expédiés avec des dispositifs de protection sur les prises d'entrée et de sortie. Ne pas retirer ces dispositifs tant que les adaptateurs ne sont pas prêts à être installés ou que la tuyauterie n'est pas prête à être connectée.*

## Conversion d'un régulateur à gaz de gaz naturel à GPL (ou de GPL à gaz naturel)

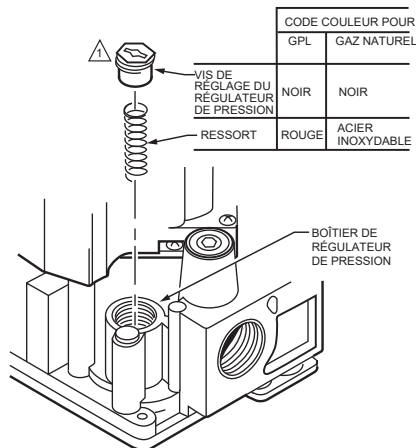
### ⚠️ AVERTISSEMENT

**Risque d'incendie ou d'explosion.  
Peut causer des dégâts et des blessures graves, voire mortelles.**

1. Toujours modifier les orifices principaux lors de la conversion de gaz naturel à GPL ou vice-versa. Suivre avec soin les spécifications et les instructions du fabricant de l'appareil pour garantir une conversion adéquate de l'appareil.
2. Les régulateurs à gaz sont réglés en usine pour le gaz naturel (et fabriqué) ou le GPL. Ne pas tenter d'utiliser un régulateur à gaz réglé pour le gaz naturel (fabriqué) sur du GPL ou vice-versa.

Les régulateurs à ouverture standard et lente (références de modèle avec suffixe S ou T) peuvent être convertis d'un gaz à un autre à l'aide d'un nécessaire de conversion. Voir le Table 4 pour la référence du nécessaire de conversion approprié.

1. Couper l'alimentation en gaz au niveau de la vanne de service de l'appareil.
2. Retirer la vis du capuchon du régulateur et mettre de côté. Voir la Fig. 5.
3. Retirer la vis de réglage du régulateur de pression. Voir la Fig. 1.
4. Déposer le ressort existant.
5. Insérer le ressort de rechange. Voir la Fig. 1.
6. Installer la vis de réglage du régulateur de pression en plastique neuve.
7. Vérifier le réglage du régulateur avec un manomètre ou en chronométrant le compteur à gaz. Voir « Vérification et réglage de l'entrée de gaz et de l'allumage du brûleur » à la page 6.
8. Réinstaller la vis du capuchon du régulateur.
9. Appliquer l'étiquette de conversion sur le régulateur de gaz.



⚠️ RÉUTILISER LA VIS DU CAPUCHON EN MÉTAL EXISTANT. MF20046B

**Fig. 1. Conversion entre GPL et gaz naturel.**

## Installation des douilles sur le régulateur

Si des douilles sont installées sur le régulateur, les monter de la façon suivante :

### Douilles

1. Retirer le dispositif de protection de l'entrée ou de la sortie du régulateur.
2. Appliquer sur la douille une quantité modérée de mastic pour joints de tube de bonne qualité, en laissant deux filetages nus à l'extrémité. Pour une installation au GPL, utiliser un mastic résistant au GPL. Voir la Fig. 2.

NOTE: Ne pas utiliser de ruban Téflon.

3. Insérer la douille dans le régulateur et fileter avec précaution le tuyau dans la douille jusqu'à ce que ce soit bien serré. Suivre les instructions ci-dessous pour installer la tuyauterie et le régulateur et effectuer le câblage. S'assurer que le test de fuite effectué sur le régulateur après l'installation inclut un test de fuite des douilles.

## Emplacement

Les régulateurs à gaz sont montés sur le vestibule de l'appareil sur le collecteur de gaz. S'il s'agit d'une application de rechange, monter le régulateur à gaz au même emplacement que l'ancien régulateur.

Placer le régulateur à gaz combiné dans un endroit où il ne sera pas affecté par le nettoyage à la vapeur, une forte humidité, des gouttes d'eau, des produits chimiques, une accumulation de poussière ou de graisse ou une chaleur excessive.

Pour garantir un bon fonctionnement, suivre ces instructions :

- Placer le régulateur de gaz dans une zone bien ventilée.
- Monter le régulateur suffisamment haut au-dessus du bas de l'armoire pour éviter l'exposition à des déversements ou des éclaboussures d'eau.
- Veiller à ce que la température ambiante ne dépasse pas les valeurs de température ambiante nominales pour chaque organe.
- Couvrir le régulateur à gaz si l'appareil est nettoyé à l'eau, à la vapeur ou avec des produits chimiques, et pour éviter l'accumulation de poussière ou de graisse.
- Éviter de placer le régulateur à gaz à un endroit où il pourrait être exposé à des vapeurs de produits chimiques et des gouttes d'eau.

## Installation de la tuyauterie sur le régulateur

Toute la tuyauterie doit être conforme aux codes et réglementations locaux ou avec le code national relatif au gaz combustible (ANSI Z223.1, NFPA n° 54), conformément à la législation locale en vigueur. L'installation des tubes doit être conforme aux normes et aux pratiques approuvées.

1. Utiliser un tuyau neuf, correctement alésé et exempt d'écaïlles. Si des tubes sont utilisés, veiller à ce que les extrémités soient carrées, ébavurées et propres. Tous les coudes des tubes doivent être lisses et ne pas présenter de déformations.
2. Acheminer le tuyau ou le tube vers le régulateur. Si un tube est utilisé, obtenir un coupleur tube-tuyau pour connecter le tube au régulateur.
3. Installer un collecteur de sédiments dans la conduite d'alimentation vers le régulateur. Voir la Fig. 3.

## Installation du régulateur

1. Peut être monté dans n'importe quelle position.
2. Faire le montage de sorte que le débit de gaz s'écoule dans le même sens que la flèche en bas du régulateur.

NOTE: La vanne de gaz fuira si installée à l'envers.

3. Fileter le tuyau comme indiqué dans le Table 6 pour l'insertion dans le régulateur ou les adaptateurs. Ne pas fileter le tuyau trop loin. Une distorsion ou un dysfonctionnement de la vanne peut avoir lieu si le tuyau est inséré trop profondément.
4. Appliquer sur le tuyau uniquement une quantité modérée de mastic pour joints de tube de bonne qualité (ne pas utiliser de ruban téflon), en laissant deux filetages nus à l'extrémité. Sur les installations au GPL, utiliser un mastic résistant au GPL. Voir la Fig. 2.
5. Retirer les dispositifs de protection de l'entrée ou de la sortie du régulateur le cas échéant.
6. Connecter le tuyau à l'entrée et à la sortie du régulateur. Utiliser une clé sur l'extrémité hexagonale du régulateur. Voir la Fig. 4.

Tableau 6. Longueur de filetage de tuyau NPT.<sup>a</sup>

Dimension de la tuyauterie	Fileter de cette longueur	Profondeur maximale d'insertion du tuyau dans le régulateur
3/8 <sup>b</sup>	9/16 (14)	3/8 (9)
1/2	3/4 (19)	1/2 (13)

<sup>a</sup> Toutes les dimensions sont en pouces (mm).

<sup>b</sup> OK lorsque des douilles sont utilisées.

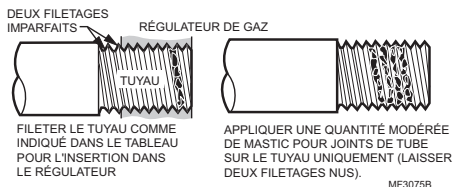


Fig. 2. Utiliser une quantité modérée de mastic pour joints de tube.

## Câblage

Suivre les instructions de câblage fournies par le fabricant de l'appareil, si disponibles, ou utiliser les instructions générales ci-dessous. Si ces instructions diffèrent de celles du fabricant de l'appareil, suivre celles du fabricant.

### IMPORTANT

Tout le câblage doit être conforme aux codes et aux réglementations électriques locaux.

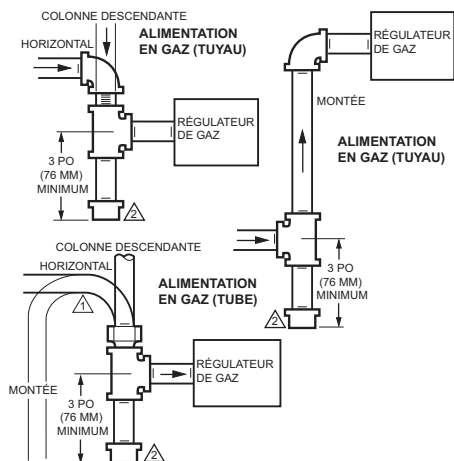
## ⚠️ AVERTISSEMENT

**Risque de choc électrique ou de dégât matériel.**

**Peut causer des dégâts et des blessures graves, voire mortelles.**

Débrancher l'alimentation avant d'effectuer les connexions de câblage pour éviter les chocs électriques et les dégâts de l'équipement.

1. Vérifier la tension électrique du régulateur et s'assurer qu'elle correspond à l'alimentation disponible. Installer un transformateur et d'autres dispositifs si nécessaire.
2. Brancher le circuit du régulateur sur les bornes du régulateur. Voir les Fig. 6 et 7.
3. Régler l'anticipateur de chaleur du thermostat à 0,50 A, la valeur indiquée sur l'opérateur de la vanne.

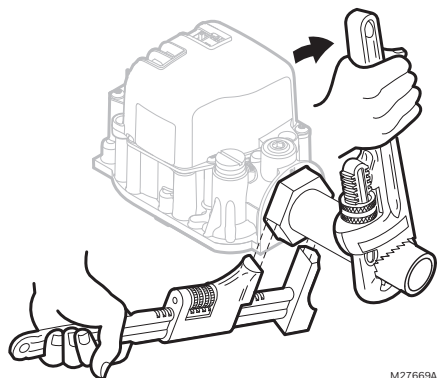


⚠️ TOUS LES COUDES DES TUBES MÉTALLIQUES DOIVENT ÊTRE LISSES.

⚠️ MISE EN GARDE : COUPER L'ARRIVÉE DE GAZ PRINCIPALE AVANT DE RETIRER LE CAPUCHON D'EXTRÉMITÉ POUR EMPECHER QUE LE GAZ NE REMPLISSE LA ZONE DE TRAVAIL. EFFECTUER UN TEST DE FUITE DE GAZ UNE FOIS L'INSTALLATION TERMINÉE.

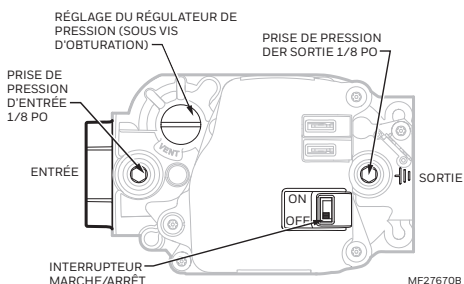
MF3077

Fig. 3. Installation du collecteur de sédiments.



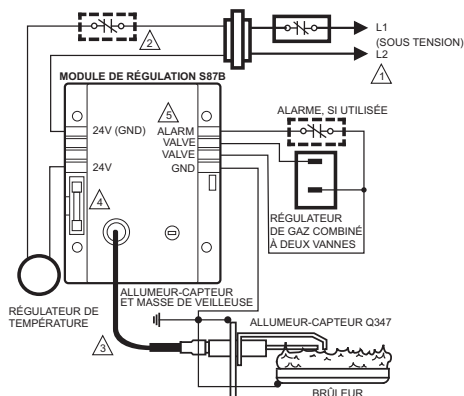
M27669A

Fig. 4. Utilisation correcte de la clé sur le régulateur.



MF27670B

Fig. 5. Vue de dessus du régulateur de gaz.



⚠️ BLOC D'ALIMENTATION: PLACER SI NÉCESSAIRE UN DISPOSITIF DE COUPE ET UNE PROTECTION CONTRE LES SURCHARGES

⚠️ EMPLACEMENT DU LIMITEUR AUXILIAIRE.

⚠️ LONGUEUR MAXIMUM DE CÂBLE ALLUMEUR-CAPTEUR : 0,9 m (3 pi) OU MOINS.

⚠️ FUSIBLE 3 A REMPLAÇABLE.

⚠️ BORNE D'ALARME FOURNIE SUR CERTAINS MODÈLES. MF27687

Fig. 6. Connexions de câblage typique pour régulateur 24 V dans les systèmes d'allumage direct S87.



## Test de fuite de gaz

### ⚠️ AVERTISSEMENT

**Risque d'incendie ou d'explosion. Peut causer des dégâts et des blessures graves, voire mortelles.**

Effectuer le test de fuite de gaz à chaque fois que des travaux sont effectués sur un système à gaz.

#### IMPORTANT

*Ne pas pulvériser de solution savonneuse sur le régulateur à gaz. Ceci pourrait endommager le régulateur. Ne pas utiliser une quantité excessive de solution savonneuse pour effectuer le test de fuite de gaz. Appliquer uniquement autour des filets du tuyau.*

## Test de fuite de gaz

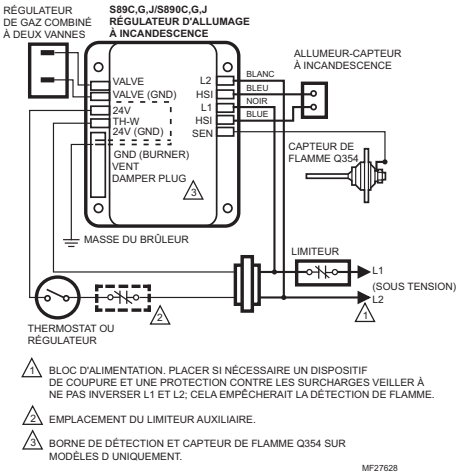
1. Badigeonner les raccords de tuyauterie en amont du régulateur à gaz avec une solution savonneuse épaisse. Des bulles indiquent une fuite de gaz.
2. Si une fuite est détectée, serrer les raccords de tuyauterie.
3. Allumer le brûleur principal. S'éloigner du brûleur principal lors de l'allumage pour éviter les blessures causées par des fuites cachées qui pourraient causer un retour de flamme dans le vestibule de l'appareil.
4. Avec le brûleur principal allumé, badigeonner les joints du tuyau (y compris les douilles) et l'entrée et la sortie du régulateur avec une solution savonneuse épaisse.
5. Si une autre fuite est détectée, éteindre le régulateur à gaz et serrer les joints et les raccords du tuyau.
6. Remplacer la pièce si la fuite ne peut pas être réparée.

## Mise en marche du système

Mettre l'interrupteur marche-arrêt sur MARCHE.

## Allumage du brûleur principal

Suivre les instructions du fabricant de l'appareil ou allumer le thermostat pour créer l'appel de chaleur.



**Fig. 7. Connexions de câblage typique pour régulateur 24 V dans les systèmes d'allumage direct S89.**

## MISE EN SERVICE ET VÉRIFICATION

### Interrupteur marche-arrêt

Les réglages de l'interrupteur marche-arrêt sont les suivants :

- OFF : Empêche la circulation de gaz principale par le régulateur.
- MARCHE : Permet l'écoulement du gaz dans le corps du régulateur. Sous le contrôle du thermostat et du module d'allumage direct, le gaz peut s'écouler par les brûleurs principaux.

NOTE: Les régulateurs sont expédiés avec l'interrupteur marche-arrêt sur la position MARCHE.

## Vérification et réglage de l'entrée de gaz et de l'allumage du brûleur

### IMPORTANT

1. Ne pas dépasser la valeur nominale de l'entrée estampillée sur la plaque signalétique de l'appareil ou la pression de l'orifice du brûleur recommandée par le fabricant pour la taille du ou des orifices utilisés. S'assurer que l'alimentation en air principale vers le brûleur principal est bien réglée pour assurer une combustion totale. Suivre les instructions du fabricant de l'appareil.
2. **POUR UNE VÉRIFICATION DE L'ENTRÉE DE GAZ EN CHRONOMÉTRANT LE COMPTEUR À GAZ :** S'assurer qu'il n'y a pas de débit de gaz par le compteur autre que celui de l'appareil en cours de vérification. Les autres appareils et veilleuses doivent être éteints (ou déduire leur consommation du relevé du compteur). Convertir le débit en Btuh comme décrit dans le formulaire 70-2602, manuel des régulateurs à gaz, et comparer la valeur d'entrée nominale en Btuh à la plaque signalétique de l'appareil.
3. **POUR UNE VÉRIFICATION DE L'ENTRÉE DE GAZ AVEC UN MANOMÈTRE :** S'assurer que le régulateur à gaz est sur ARRÊT avant de retirer le bouchon de la prise de pression de sortie pour connecter le manomètre (jauge de pression). Remettre également l'interrupteur du régulateur sur ARRÊT lors du retrait de la jauge et de la réinstallation du bouchon. Avant de retirer le bouchon de la prise de pression d'entrée, couper l'alimentation en gaz au niveau de la vanne manuelle dans la tuyauterie de gaz de l'appareil ou du réservoir si du GPL est utilisé. Couper aussi l'alimentation en gaz avant de débrancher le manomètre et de réinstaller le bouchon. Recommencer le test de fuite de gaz au niveau du bouchon avec le brûleur principal en fonctionnement.

NOTE: Vérifier la pression d'entrée avant de régler le régulateur de pression.

## Modèles à ouverture standard et lente (S et T)

1. Vérifier avec soin l'allumage du brûleur principal. S'assurer que le brûleur principal s'allume en douceur et que tous les orifices restent allumés.
2. Vérifier la pression haute du collecteur indiquée sur la plaque signalétique de l'appareil. La pression de sortie plein débit du régulateur de gaz doit correspondre à cette valeur.
3. Avec le brûleur principal en fonctionnement, vérifier le débit du régulateur à gaz à l'aide du compteur à gaz ou d'un manomètre connecté à la prise de pression de sortie du régulateur. Voir la Fig. 5.

4. Si nécessaire, régler le régulateur de pression en fonction de la pression nominale de l'appareil. Voir le Table 7 pour la pression de sortie nominale réglée en usine et la plage de réglage.
  - a. Retirer la vis d'obturation de réglage du régulateur de pression.
  - b. Avec un tournevis, tourner la vis de réglage interne de pression élevée (Fig. 5) dans le sens des aiguilles d'une montre pour l'augmenter ou dans le sens contraire des aiguilles d'une montre pour réduire la pression de gaz au brûleur.
  - c. Toujours replacer la vis d'obturation et la serrer fermement pour éviter une fuite de gaz.
5. Si la pression de sortie ou le débit désirés ne peuvent pas être obtenus en réglant le régulateur de gaz, vérifier la pression d'entrée du régulateur à l'aide d'un manomètre au niveau de la prise de pression d'entrée sur le régulateur de gaz. Si la pression d'entrée est dans la plage nominale (voir le Table 7), replacer le régulateur. Autrement, effectuer les étapes nécessaires pour assurer une pression adéquate.

## Vérifier le verrouillage de sécurité (sur régulateurs à ouverture lente uniquement)

1. Une fois l'alimentation du système coupé et le thermostat régler sur appel de chaleur, fermer manuellement l'alimentation en gaz.
2. Activer le régulateur d'allumage et minuter la durée du verrouillage de sécurité. Lorsque l'étincelle d'allumage s'éteint, arrêter le minutage.

NOTE: Lors de l'utilisation du VR8215T, la durée de verrouillage de sécurité du régulateur d'allumage spécifiée doit dépassée 8,5 secondes pour que le système fonctionne de façon appropriée.

3. Après l'arrêt de l'étincelle, réouvrir manuellement l'interrupteur du régulateur de gaz. Il ne devrait pas y avoir d'écoulement du gaz vers le brûleur principal.
4. Réinitialiser le système en réglant le thermostat sous la température de la pièce, attendre 30 secondes, puis changer le réglage du thermostat sur appel de chaleur. L'allumage normal devrait avoir lieu.

**Tableau 7. Pressions de spécification de régulateur de pression en pouces c. e. (kPa).**

Modèle	Type de gaz	Plage de pression d'entrée nominale	Pression de sortie nominale réglée en usine	Plage de réglage
Standard, lent	NAT.	5,0-7,0 (1,2-1,7)	3,5 (0,9)	3,0-5,0 (0,8-1,3)
	GPL	12,0-14,0 (3,0-3,5)	10,0 (2,5)	8,0-12,0 (2,0-3,0)

## Vérification de la performance de la coupure de sécurité

### AVERTISSEMENT

**Risque d'incendie ou d'explosion. Peut causer des dégâts et des blessures graves, voire mortelles.**

Effectuer le test de coupure de sécurité à chaque fois que des travaux sont effectués sur un système à gaz.

NOTE: Lire les étapes 1 à 7 avant de commencer, et comparer aux tests de coupure de sécurité ou de verrouillage de sécurité recommandés pour le module d'allumage direct. En cas de différences, utiliser la procédure recommandée pour le module d'allumage.

1. Couper l'alimentation en gaz.
2. Régler le thermostat ou le contrôleur à une température supérieure à celle de la pièce pour créer un appel de chaleur.
3. Noter la présence de l'étincelle d'allumage ou l'incandescence de l'allumeur à incandescence immédiat ou suite au prébalayage. Voir les spécifications du module d'allumage direct.
4. Minuter la durée de l'étincelle. Voir les spécifications du module d'allumage direct.
5. Après le verrouillage du module, ouvrir le robinet de gaz manuel et s'assurer qu'il n'y a pas de débit de gaz vers le brûleur principal.
6. Régler le thermostat à une température inférieure à la température ambiante et attendre une minute.
7. Activer le système sur un cycle complet pour s'assurer que toutes les commandes fonctionnent correctement.

## ENTRETIEN

### AVERTISSEMENT

**Risque d'incendie ou d'explosion. Peut causer des dégâts et des blessures graves, voire mortelles.**

Ne pas démonter le régulateur; il ne contient pas de pièces remplaçables. Les tentatives de démontage, réparation ou nettoyage peuvent endommager le régulateur, entraînant des fuites de gaz.

Un entretien préventif régulier est important pour les applications de cuisson commerciale et pour les industries agricoles et industrielles plaçant une lourde charge sur les systèmes de régulation pour les raisons suivantes :

- Dans de nombreuses applications, en particulier de cuisson commerciale, l'équipement fonctionne entre 100 000 et 200 000 cycles par an. Ces cycles lourds peuvent endommager le régulateur en un ou deux ans.
- L'exposition à l'eau, la saleté, les produits chimiques et la chaleur peut endommager le régulateur et couper le système de régulation.

Le programme d'entretien doit inclure une vérification régulière du régulateur telle qu'indiquée dans la section Mise en service et vérification, et du système de régulation telle que décrite dans la documentation du fabricant de l'appareil.

La fréquence de l'entretien doit être déterminée pour chaque application sur une base individuelle. Voici quelques considérations à prendre en compte :

- Fréquence des cycles. Les appareils dont les cycles peuvent avoir lieu 20 000 fois par an doivent être vérifiés mensuellement.
- Utilisation intermittente. Les appareils utilisés de manière saisonnière doivent être vérifiés avant l'arrêt et après la mise en service suivante.
- Conséquence d'une coupure imprévue. Lorsque le coût d'une coupure imprévue est élevé, le système doit être vérifié plus souvent.
- Environnement poussiéreux, mouillés ou corrosifs. Ces environnements pouvant causer une détérioration plus rapide du régulateur, le système doit être vérifié plus souvent.

Le système doit être remplacé dans les cas suivants :

- Il ne fonctionne pas correctement lors de la vérification ou du dépannage.
- Le régulateur a probablement fonctionné sur plus de 200 000 cycles.
- Le régulateur est mouillé ou semble avoir été mouillé.

## RÉPARATIONS

### AVERTISSEMENT

**Risque d'incendie ou d'explosion. Peut causer des dégâts et des blessures graves, voire mortelles.**

Ne pas démonter le régulateur; il ne contient pas de pièces réparables ou remplaçables. Les tentatives de démontage, réparation ou nettoyage peuvent endommager le régulateur, entraînant des fuites de gaz.

### MISE EN GARDE

**Risque de dégât matériel. Les thermostats ou d'autres organes peuvent être grillés dans la chaîne de régulation.**

Ne jamais installer un cavalier ou court-circuiter les bornes des serpentins de la vanne, même provisoirement.

Après l'entretien, vérifier que le système fonctionne correctement.

## Si le brûleur principal ne s'allume pas avec l'appel de chaleur

1. Confirmer que l'interrupteur du régulateur est sur MARCHE.
2. Régler le thermostat à plusieurs degrés au-dessus de la température ambiante.
3. Avec un voltmètre c.a., mesurer le long des bornes à connexion rapide du régulateur.
4. Si la tension n'est pas correcte ou présente, vérifier le circuit du régulateur pour s'assurer qu'il fonctionne correctement.
5. Si la tension adéquate est présente, replacer le régulateur.

# INSTRUCTIONS AU PROPRIÉTAIRE DE LA RÉSIDENCE

## AVERTISSEMENT

**Risque d'incendie ou d'explosion.  
Peut causer des dégâts et des blessures graves, voire mortelles.**

Respecter ces avertissements avec précision :

1. Avant d'allumer, vérifier qu'il n'y a pas d'odeur de gaz autour de l'appareil. Vérifier la présence d'une odeur au niveau du sol car le GPL est plus lourd que l'air. Si une odeur de gaz est détectée :
  - a. Couper l'alimentation en gaz au niveau du robinet d'alimentation de l'appareil. Pour les systèmes fonctionnant au GPL, couper l'alimentation au niveau du réservoir à gaz.
  - b. N'allumer aucun appareil dans la maison.
  - c. Ne pas toucher d'interrupteurs électriques ou utiliser le téléphone.
  - d. Quitter le bâtiment et utiliser un téléphone voisin pour appeler votre fournisseur en gaz.
  - e. Si ce dernier ne peut pas être joint, appeler les pompiers.
2. Remplacer le régulateur en cas de dommages physiques, de modification, de bornes courbées, de pièces cassées ou manquantes, de filetages dénudés ou en cas d'évidence d'exposition à la chaleur.

### IMPORTANT

*Suivre les instructions de fonctionnement fournies par le fabricant de l'appareil de chauffage. Les informations ci-dessous décrivent une application typique, mais les régulateurs spécifiques utilisés et les procédures décrites dans les instructions du fabricant de l'appareil peuvent différer, nécessitant des instructions spéciales.*

## Pour mettre l'appareil en marche

### ARRÊTER! Lire les avertissements avant de continuer.

1. La séquence d'allumage de cet appareil est automatique; ne pas tenter d'allumer le brûleur principal manuellement.
2. Si l'appareil de chauffage ne s'allume pas lorsque le thermostat est réglé à plusieurs degrés au-dessus de la température de la pièce régler le thermostat à son réglage le plus bas pour réinitialiser le dispositif de sécurité.
3. Retirer le panneau d'accès au brûleur s'il est présent sur l'appareil.
4. Mettre l'interrupteur marche-arrêt sur ARRÊT.
5. Attendre cinq minutes pour permettre l'évacuation du gaz de la chambre de combustion. Si une odeur de gaz est détectée, S'ARRÊTER! Suivre l'étape 1 de l'avertissement ci-dessus. Si aucune odeur de gaz n'est détectée, passer à l'étape suivante.
6. Si aucune odeur de gaz n'est détectée, mettre l'interrupteur électronique sur MARCHÉ.
7. Replacer le panneau d'accès du brûleur.
8. Remettre le thermostat à la température désirée.
9. Si l'appareil ne s'allume pas, mettre l'interrupteur du régulateur de gaz sur ARRÊT et contacter un technicien d'entretien qualifié pour obtenir de l'aide.

## Extinction de l'appareil

### Coupure pour vacances

Régler le thermostat à la température ambiante désirée pour les vacances.

### Arrêt complet

1. Couper l'alimentation de l'appareil.
2. Couper l'alimentation en gaz vers l'appareil.
3. Mettre l'interrupteur marche-arrêt sur ARRÊT. L'appareil est complètement éteint.
4. Suivre la procédure dans la section Instructions au propriétaire ci-dessus pour reprendre le fonctionnement normal.



www.resideo.com

Resideo Technologies, Inc.  
1985 Douglas Drive North, Golden Valley, MN 55422  
1-800-468-1502  
34-00006EF-03 M.S. Rev. 04-20 | Imprimé aux États-Unis