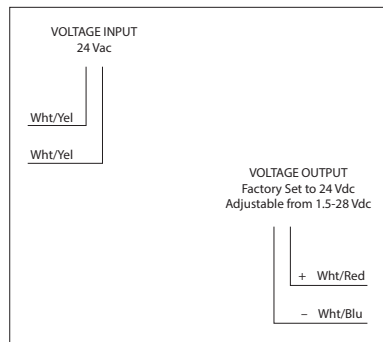


**DC POWER SUPPLY: 24 VAC TO 1.5 - 28 VDC**

**PSP24DA**

Enclosed **Non-Isolated** Linear DC Power Supply,  
24 Vac to 1.5-28 Vdc Adjustable Output



LISTED Class 2



Made in USA  
Meets  
"Buy American"  
of ARRA 2009

**SPECIFICATIONS**

<p><b>Voltage Input:</b> 24 Vac, full-wave rectified</p> <p><b>Voltage Output:</b> 1.5 - 28 Vdc <b>non-isolated</b></p> <p><b>Frequency:</b> 50/60 Hz</p> <p><b>Overload Protection:</b> Electrical and Thermal, Auto-Reset</p> <p><b>Operating Temperature:</b> -30 to 140° F</p> <p><b>Humidity Range:</b> 5 to 95% (noncondensing)</p> <p><b>Power Status:</b> LED On = Activated</p> <p><b>Dimensions:</b> 2.30" x 3.20" x 1.80" with .50" NPT nipple</p> <p><b>Wires:</b> 16", 600V Rated</p> <p><b>Weight:</b> .30 lbs.</p> <p><b>ON/OFF Switch:</b> None</p> <p><b>Approvals:</b> Class 2 (UL Approved UL5085-3), UL916, C-UL, CE, RoHS</p> <p><b>Housing Rating:</b> UL Accepted for Use in Plenum, NEMA 1</p>	<p><b>Output Current Ratings:</b></p> <p>116 mA @ 10 Vdc</p> <p>125 mA @ 12 Vdc</p> <p>300 mA @ 24 Vdc</p> <p><b>Input Current Rating:</b></p> <p>550 mA Maximum</p>	<p><b>Percent Ripple:</b></p> <p>0.0016%, 24 Vdc @ 300 mA</p> <p><b>Regulation:</b></p> <p>Load: 0.04% No Load to Full Load</p> <p>Line: 0.0125 V/V</p>	<p><b>Notes:</b></p> <ul style="list-style-type: none"> <li>• Requires a separate ungrounded transformer when used in conjunction with 1/2 wave rectified power supplies, grounded 24 Vac transformers, or when 24 Vac and 24 Vdc are connected in common.</li> </ul>
--	--	---	---

POWER SUPPLIES