

# MUELLER

## R-2362 RESILIENT WEDGE GATE VALVE

OS&Y: 4" – 12"/DN100 – DN300

Image shown with 3" – 6"/DN80 – DN150 bonnet/yoke combo. 8" – 12"/DN200 – DN300 bonnet and yoke are two pieces. Contact Mueller Co. for option details.



### PRODUCT FEATURES

- Outside Screw & Yoke (OS&Y).
- Iron Body, Bonnet, and Yoke.
- Mueller Pro-Gard® Fusion Bonded Epoxy Coating covers all cast surfaces inside and out – 10 mils (250µ) nominal. Meets requirements of AWWA/ANSI C550.
- Meets requirements of AWWA/ANSI C515 and is certified to ANSI/NSF 61 & 372.
- Iron wedge, symmetrical and fully encapsulated with molded rubber; no exposed iron.
- Polymer cap bearings on wedge guides resist wear and provide easy operation.
- Bi-directional flow.
- 10-year limited warranty.
- Working Pressure: 350psig/24barg; Test Pressure: 700psig/48 barg.
- 2"/DN50, 2½"/DN65 & 3"/DN80 are available as the R-2361, which meets the requirements of both C-509 and C-515.
- UL 262 listed, FM 1120/1130 approved.
- End connections: Flange ANSI B16.1, Class 125 and ANSI B16.42, Class 150 Flat Face. Optional PN10, PN16 drilling.

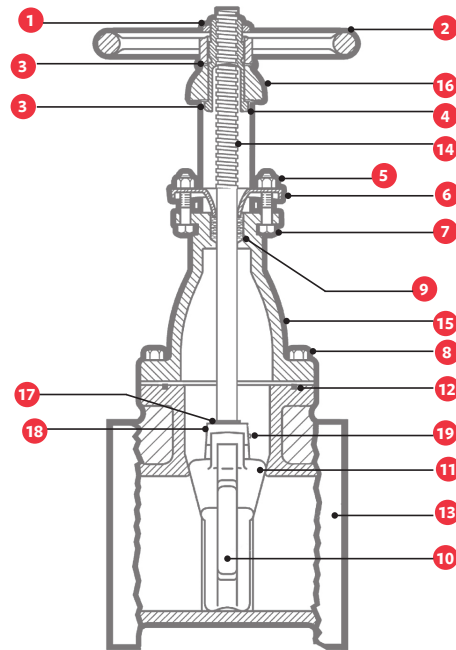
### PARTS LIST

ID	PART NAME	MATERIAL
1	Cap Nut	Bronze ASTM B62/B584
2	Handwheel	Ductile Iron ASTM A536 (See Note 1)
3	Washer	Brass ASTM B36
4	Bush Nut	Bronze ASTM B62
5	Gland Nut	Bronze ASTM B98
6	Packing Gland	Ductile Iron ASTM A536 (See Note 1)
7	Gland Bolts	316 Stainless Steel ASTM F593
8	Bonnet Bolts & Nuts	316 Stainless Steel ASTM F593 (bolt)/F594 (nut)
9	Stem Packing	Lubricated Flax
10	Guide Cap Bearings	Acetal
11	Wedge	(See Note 2)
12	Bonnet O-Ring	Nitrile ASTM D2000
13	Body	Ductile Iron ASTM A536 (See Note 1)
14	Stem	Manganese Bronze ASTM B138 (C67600)
15*	Bonnet	Ductile Iron ASTM A536 (See Note 1)
16*	Yoke	Cast Iron ASTM A536 (See Note 1)
17	O-Ring	Nitrile ASTM D2000
18	Disc Nut	Bronze ASTM B584
19	Stem Nut Pin	304 Stainless Steel

\*Two-piece bonnet & yoke.

### \*STEM PACKING INFORMATION

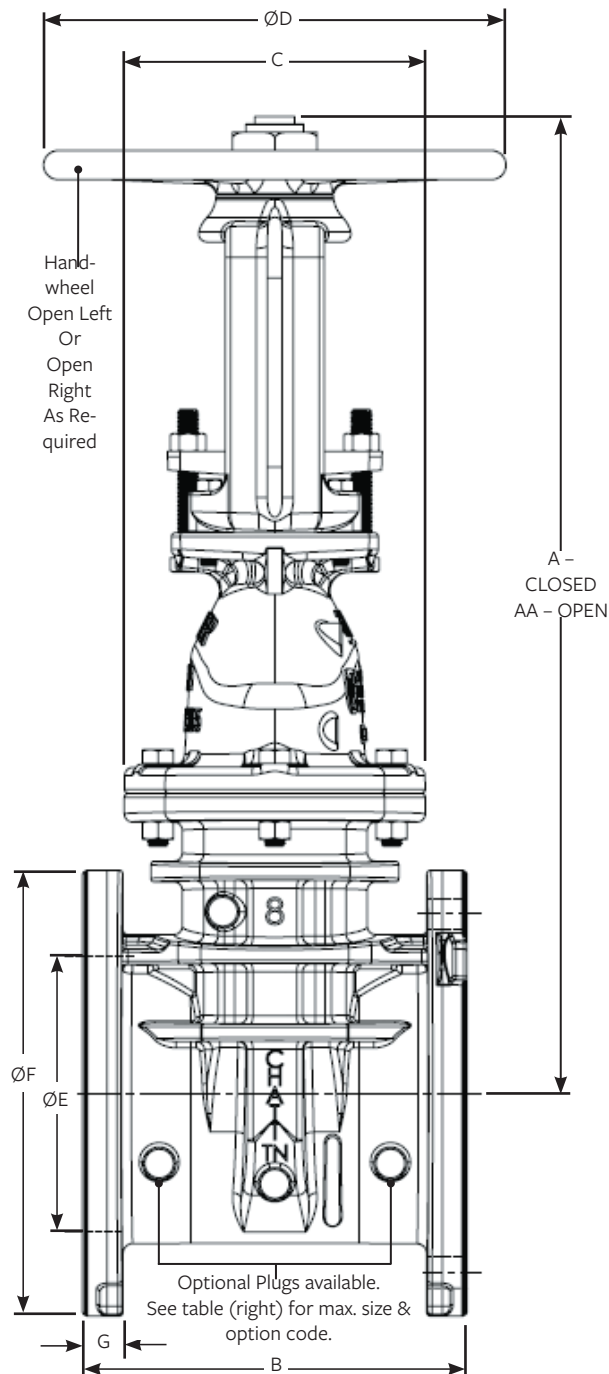
Valve Size	4"/DN100	6"/DN150	8"/DN200	10"/DN250	12"/DN300
Part No./Quantity	176477/4	170712/4	175937/4	175975/4	170749/3
Size - inches (mm)	¼ (6) x 4¼ (108)	⅝ (8) x 4¾ (121)	⅝ (8) x 5⅛ (130)	⅝ (8) x 5½ (133)	¾ (10) x 6⅜ (161)



#### Notes:

1. Material strength ASTM A536 65-45 minimum.
2. Fully encapsulated in molded rubber with no iron exposed.

# MUELLER



## DIMENSIONS - INCHES (MM)

VALVE SIZE	A-CLOSED	AA-OPEN	B	C
4"/DN100	19.00 (483)	23.68 (601)	9.00 (229)	10.79 (274)
6"/DN150	24.50 (622)	31.38 (797)	10.50 (267)	13.50 (343)
8"/DN200	29.50 (749)	38.50 (978)	11.50 (292)	16.36 (416)
10"/DN250	35.75 (908)	47.00 (1194)	13.00 (330)	19.99 (508)
12"/DN300	40.50 (1028)	53.50 (1359)	14.00 (356)	21.00 (533)

VALVE SIZE	ØD	ØE THRU Ø	ØF	G
4"/DN100	10.00 (254)	4.31 (109)	9.00 (229)	0.94 (24)
6"/DN150	12.00 (305)	6.30 (160)	11.00 (279)	1.06 (27)
8"/DN200	14.00 (356)	8.30 (211)	13.50 (343)	1.19 (30)
10"/DN250	16.00 (406)	10.30 (262)	16.00 (406)	1.25 (32)
12"/DN300	16.00 (406)	12.30 (312)	19.00 (483)	1.31 (33)

\*C dimension is the overall width of the bonnet flange.

## OPTIONAL PLUGS

VALVE SIZE	R-2362 MAX. TAP SIZE	OPTION NO.	TAP SIZE
4"/DN100	¾" (19)	0008	½" (13)
6"/DN150	1" (25)	0054	¾" (19)
8"/DN200	1¼" (32)	0062	1" (25)
10"/DN250	1¼" (32)	0355	1¼" (32)
12"/DN300	2" (50)	0070	1½" (38)
		0366	2" (50)

## WEIGHT - LB. (KG)

VALVE SIZE	WEIGHT
4"/DN100	120 (54)
6"/DN150	181 (82)
8"/DN200	287 (130)
10"/DN250	448 (203)
12"/DN300	596 (270)

For more information about us, or to view our full line of products, please visit [www.mueller-international.com](http://www.mueller-international.com) or call International Customer Service at:

UK: +44.1438.487410 Dubai: +971.4.214.6640 Singapore: +65.6816.3088 USA: +1.800.423.1323 | [International@muellerwp.com](mailto:International@muellerwp.com)

Mueller refers to one or more of Mueller Water Products, Inc., a Delaware corporation ("MWP"), and its subsidiaries. MWP and each of its subsidiaries are legally separate and independent entities when providing products and services. MWP does not provide products or services to third parties. MWP and each of its subsidiaries are liable only for their own acts and omissions and not those of each other. MWP brands include Mueller®, Echologics®, Hydro Gate®, Hydro-Guard®, Jones®, Krausz®, Mi.Net®, Milliken®, Pratt®, Pratt Industrial®, Singer®, and U.S. Pipe Valve & Hydrant. Please see [muellerwp.com/brands](http://muellerwp.com/brands) to learn more.

© 2020 Mueller Water Products, Inc. All Rights Reserved. The trademarks, logos and service marks displayed in this document are the property of Mueller Water Products, Inc., its affiliates or other third parties. Products above marked with a section symbol (§) are subject to patents or patent applications. For details visit [www.muellerwp.com](http://www.muellerwp.com).

F 13753 3/20

**MUELLER**