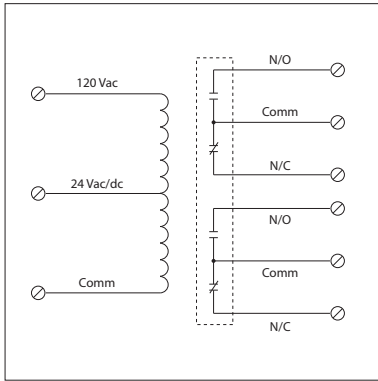


**10 AMP TRACK MOUNT CONTROL RELAYS**

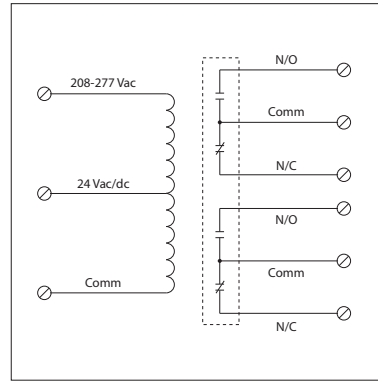
**RIBM2401D**

4.00" Track Mount Relay 10 Amp DPDT with 24 Vac/dc/120 Vac Coil



**RIBM2402D**

4.00" Track Mount Relay 10 Amp DPDT with 24 Vac/dc/208-277 Vac Coil



RELAYS

**SPECIFICATIONS**

**# Relays & Contact Type:** One (1) DPDT Continuous Duty Coil  
**Expected Relay Life:** 10 million cycles minimum mechanical  
**Operating Temperature:** -30 to 140° F  
**Humidity Range:** 5 to 95% (noncondensing)  
**Operate Time:** 8ms  
**Relay Status:** LED On = Activated  
**Dimensions:** 1.700" x 4.000" x 1.750"  
**Track Mount:** 4.000", See MT4 Series on page 152  
**Approvals:** UL Listed, UL916, UL864, C-UL  
 California State Fire Marshal, CE, RoHS  
**Gold Flash:** No  
**Override Switch:** No

**Contact Ratings:**  
 10 Amp Resistive @ 30 Vdc  
 10 Amp General Use @ 277 Vac  
 1/2 HP @ 120/240 Vac (N/O)  
 1/3 HP @ 120/240 Vac (N/C)  
**B300 Pilot Duty**  
 120 Vac 30A Make 3A Break (360 VA)  
 240 Vac 15 A Make 1.5A Break (360 VA)  
 208 Vac 17.3A Make 1.73A Break (360 VA)  
 277 Vac 13A Make 1.3A Break (360 VA)  
 24 Vac 30A Make 5A Break (120VA) 5A Max

**Coil Current:**  
 24 mA @ 18 Vac    20 mA @ 20 Vdc  
 32 mA @ 24 Vac    24 mA @ 24 Vdc  
 40 mA @ 30 Vac    36 mA @ 30 Vdc  
 31 mA @ 120 Vac (RIBM2401D)  
 36 mA @ 208-277 Vac (RIBM2402D)

**Coil Voltage Input:**  
 24 Vac/dc ; 120 Vac ; 50-60 Hz (RIBM2401D)  
 24 Vac/dc ; 208-277 Vac ; 50-60 Hz (RIBM2402D)  
 Drop Out = 3 Vac / 3.8 Vdc  
 Pull In = 18 Vac / 20 Vdc