

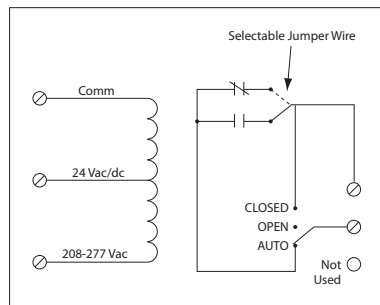
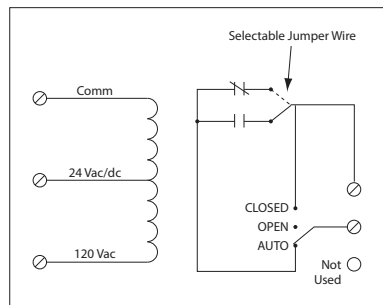
**20 AMP TRACK MOUNT CONTROL RELAYS**

**RIBM2401SB**

4.00" Track Mount Relay 20 Amp SPST + Override with 24 Vac/dc/**120 Vac Coil**

**RIBM2402SB**

4.00" Track Mount Relay 20 Amp SPST + Override with 24 Vac/dc/**208-277 Vac Coil**



RELAYS

**SPECIFICATIONS**

**# Relays & Contact Type:** One (1) SPST Continuous Duty Coil  
**Expected Relay Life:** 10 million cycles minimum mechanical  
**Operating Temperature:** -30 to 140° F  
**Humidity Range:** 5 to 95% (noncondensing)  
**Operate Time:** 18ms  
**Relay Status:** LED On = Activated  
**Dimensions:** 1.600" x 4.000" x 1.750"  
**Track Mount:** 4.000", See MT4 Series on page 152  
**MT4 Mounting Track Sold Separately**  
**Approvals:** UL Listed, UL916, UL864, C-UL California State Fire Marshal, CE, RoHS  
**Gold Flash:** No  
**Override Switch:** Yes

**Contact Ratings:**  
 20 Amp Resistive @ 277 Vac  
 20 Amp Ballast @ 277 Vac (N/O)  
 10 Amp Ballast @ 277 Vac (N/C)  
*Not rated for Electronic Ballast*  
 10 Amp Tungsten @ 120 Vac (N/O)  
 1110 VA Pilot Duty @ 277 Vac  
 770 VA Pilot Duty @ 120 Vac  
 2 HP @ 277 Vac  
 1 HP @ 120 Vac

**Coil Voltage Input:**  
 24 Vac/dc; 120 Vac; 50-60 Hz (RIBM2401SB)  
 24 Vac/dc; 208-277 Vac; 50-60 Hz (RIBM2402SB)  
 Drop Out = 2.1 Vac / 3.8 Vdc  
 Pull In = 18 Vac / 22 Vdc

**Coil Current:**  
 50 mA @ 18 Vac                      33 mA @ 22 Vdc  
 83 mA @ 24 Vac                      35 mA @ 24 Vdc  
 47 mA @ 120 Vac (RIBM2401SB)    47 mA @ 30 Vdc  
 69 mA @ 208-277 Vac (RIBM2402SB)

**Notes:**  
 • Normally Open or Normally Closed selected by yellow jumper wire