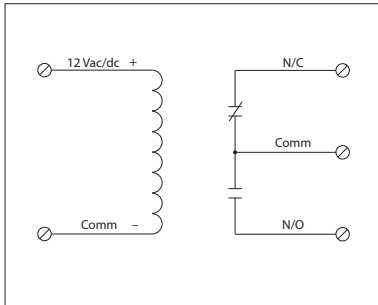


FIRE ALARM TRACK MOUNT RELAYS

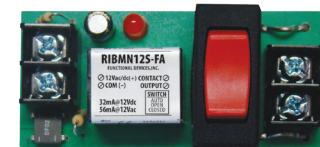
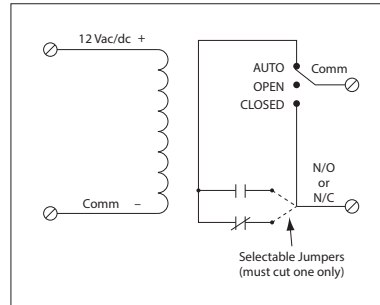
RIBMN12C-FA

2.75" Track Mount Relay 15 Amp, Polarized with 12 Vac/dc Coil



RIBMN12S-FA

2.75" Track Mount Relay 15 Amp + **Override**, Polarized with 12 Vac/dc Coil



Cut for N/O
Cut for N/C

RELAYS

SPECIFICATIONS

- # Relays & Contact Type: One (1) SPDT Continuous Duty Coil
- Expected Relay Life: 10 million cycles minimum mechanical
- Operating Temperature: -30 to 140° F
- Humidity Range: 5 to 95% (noncondensing)
- Operate Time: 6ms
- Relay Status: LED On = Activated
- Dimensions: 1.100" x 2.750" x 1.750"
- Track Mount: 2.750", See MT212 Series on page 152
MT212 Mounting Track Sold Separately
- Approvals: UL Listed, UL916, UL864, C-UL
California State Fire Marshal, CE, RoHS
- Gold Flash: No
- Override Switch: No (RIBMN12C-FA)
Yes (RIBMN12S-FA)

- Contact Ratings:
- 15 Amp General Use @ 125 Vac
- 10 Amp General Use @ 277 Vac
- 10 Amp Resistive @ 30 Vdc (N/O)
- 7 Amp Resistive @ 30 Vdc (N/C)
- 1/2 HP @ 125 Vac
- 1 HP @ 250 Vac
- 1/4 HP @ 277 Vac
- 470 VA Pilot Duty @ 125 Vac
- 770 VA Pilot Duty @ 250 Vac

- Coil Current:
- 53 mA @ 10 Vac
- 62 mA @ 12 Vac
- 29 mA @ 11 Vdc
- 35 mA @ 12 Vdc

- Coil Voltage Input:
- 12 Vac/dc ; 50-60 Hz
- Drop Out = 2 Vac / 2.5 Vdc
- Pull In = 9 Vac / 11 Vdc

- Notes:
- Must cut appropriate jumper to select Normally Open or Normally Closed (RIBMN12S-FA)