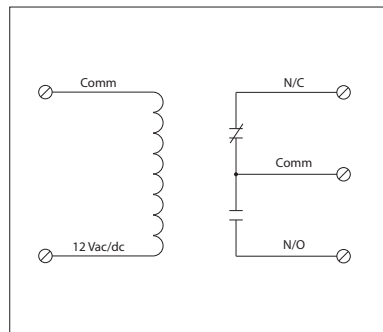


15 AMP TRACK MOUNT CONTROL RELAYS

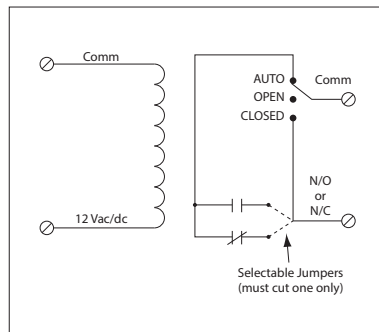
RIBMN12C

2.75" Track Mount Relay 15 Amp SPDT with 12 Vac/dc Coil



RIBMN12S

2.75" Track Mount Relay 15 Amp SPST + Override with 12 Vac/dc Coil



Meets "Buy American" of ARRA 2009



Cut for N/O
Cut for N/C

RELAYS

SPECIFICATIONS

- # Relays & Contact Type:** One (1) SPDT Continuous Duty Coil (RIBMN12C)
One (1) SPST Continuous Duty Coil (RIBMN12S)
- Expected Relay Life:** 10 million cycles minimum mechanical
- Operating Temperature:** -30 to 140° F
- Humidity Range:** 5 to 95% (noncondensing)
- Operate Time:** 6ms
- Relay Status:** LED On = Activated
- Dimensions:** 1.100" x 2.750" x 1.750" (RIBMN12C)
1.250" x 2.750" x 1.750" (RIBMN12S)
- Track Mount:** 2.750"; See MT212 Series on page 152
MT212 Mounting Track Sold Separately
- Approvals:** UL Listed, UL916, UL864, C-UL
California State Fire Marshal, CE, RoHS
- Gold Flash:** No
- Override Switch:** No (RIBMN12C)
Yes (RIBMN12S)

- Contact Ratings:**
15 Amp General Use @ 125 Vac
10 Amp General Use @ 277 Vac
10 Amp Resistive @ 30 Vdc (N/O)
7 Amp Resistive @ 30 Vdc (N/C)
1/2 HP @ 125 Vac
1 HP @ 250 Vac
1/4 HP @ 277 Vac
C300 Pilot Duty

- Coil Current:**
53 mA @ 10 Vac
62 mA @ 12 Vac
29 mA @ 11 Vdc
35 mA @ 12 Vdc

- Coil Voltage Input:**
12 Vac/dc ; 50-60 Hz
Drop Out = 2 Vac / 2.5 Vdc
Pull In = 9 Vac / 11 Vdc

- Notes:**
• Must cut appropriate jumper to select Normally Open or Normally Closed (RIBMN12S)