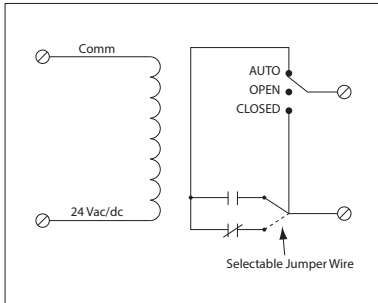


**15 AMP TRACK MOUNT CONTROL RELAY**

**RIBMN24S-J**

2.75" Track Mount Relay 15 Amp SPST + Override with 24 Vac/dc Coil and Jumper Selectable Output



RELAYS

**SPECIFICATIONS**

- # Relays & Contact Type: One (1) SPST Continuous Duty Coil
- Expected Relay Life: 10 million cycles minimum mechanical
- Operating Temperature: -30 to 140° F
- Humidity Range: 5 to 95% (noncondensing)
- Operate Time: 6ms
- Relay Status: LED On = Activated
- Dimensions: 1.250" x 2.750" x 1.750"
- Track Mount: 2.750", See MT212 Series on page 152  
*MT212 Mounting Track Sold Separately*
- Approvals: UL Listed, UL916, UL864, C-UL  
California State Fire Marshal, CE, RoHS
- Gold Flash: No
- Override Switch: Yes

- Contact Ratings:
- 15 Amp General Use @ 125 Vac
- 10 Amp General Use @ 277 Vac
- 10 Amp Resistive @ 30 Vdc (N/O)
- 7 Amp Resistive @ 30 Vdc (N/C)
- 1/2 HP @ 125 Vac
- 1 HP @ 250 Vac
- 1/4 HP @ 277 Vac
- C300 Pilot Duty

- Coil Current:
- 26 mA @ 20 Vac
- 31 mA @ 24 Vac
- 48 mA @ 35 Vac
- 14 mA @ 20 Vdc
- 18 mA @ 24 Vdc
- 28 mA @ 35 Vdc

- Coil Voltage Input:
- 24 Vac/dc ; 50-60 Hz
- Drop Out = 3 Vac / 3.8 Vdc
- Pull In = 20 Vac / 20 Vdc

- Notes:
- Normally Open or Normally Closed selected by yellow jumper wire.