

ENCLOSURE MODEL: I00S-AL

JOB:



**SAFE-T-COVER**  
BY HYDROCOWL

ENCLOSURES DESIGNED FOR THE WORLD'S WATER SYSTEMS™

WEBSITE: SAFE-T-COVER.COM

EMAIL: SALES@SAFE-T-COVER.COM

PHONE: (800) 245-6333

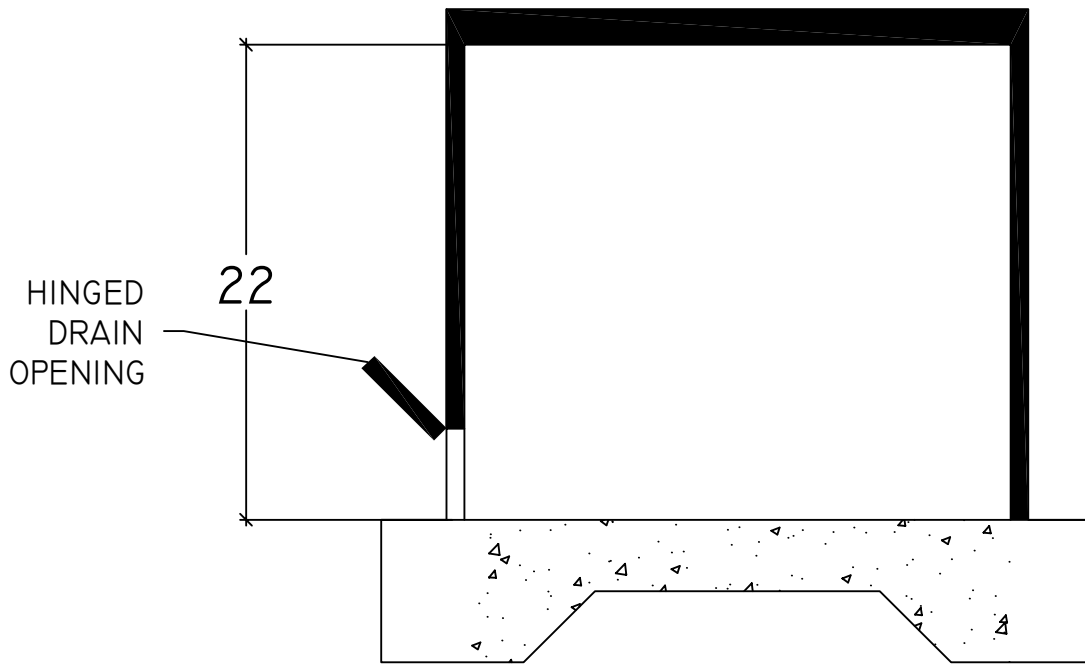
FAX: (615) 259-4481

DRAWN BY: JM

SCALE: NONE

DATE: 06/07/16

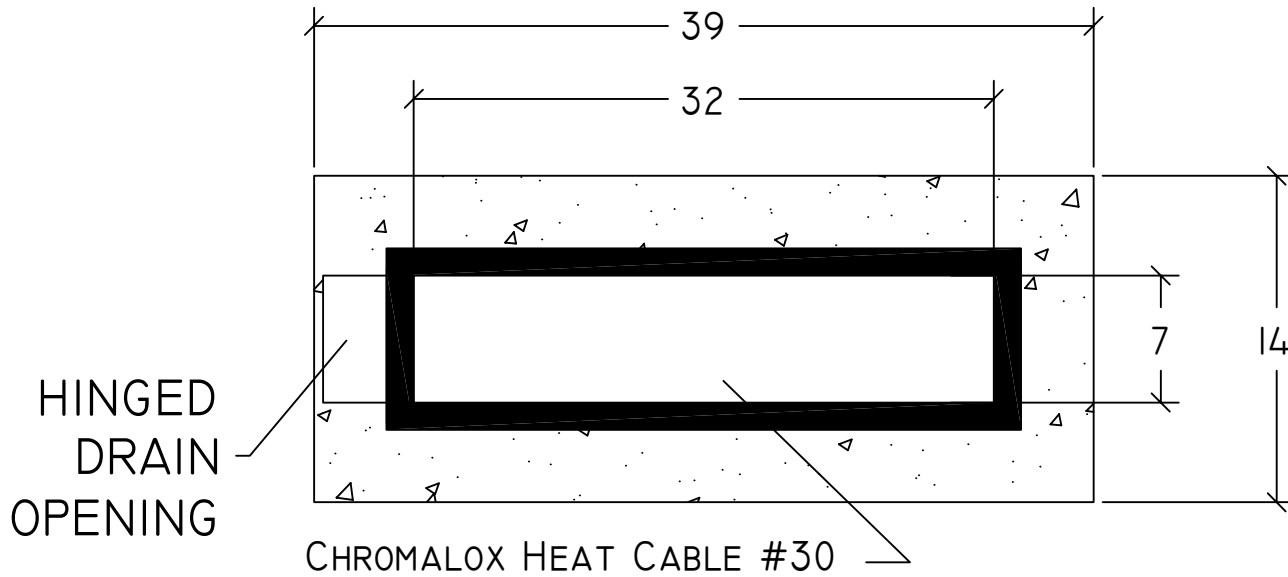
### ELEVATION VIEW



I00S-AL

SHEET 1 OF 1

### PLAN VIEW



5. MODEL I00S-AL ENCLOSURE

6. ENCLOSURE INSIDE DIMENSIONS:  
7"W X 32"L X 22"H

7. CONCRETE PAD IS 14"W X 39"L X 4"H

1. DRAWING NOT TO SCALE.

2. ALL DIMENSIONS ARE IN INCHES.

3. WALL AND INSULATION THICKNESS IS 1-1/2".

4. ROOF AND INSULATION THICKNESS IS 1-1/2".

CONFIDENTIAL: THIS DRAWING IS INTENDED FOR USE ONLY BY THOSE AUTHORIZED TO RECEIVE IT.  
DISSEMINATION, DISTRIBUTION OR COPY OF THIS INFORMATION IS STRICTLY PROHIBITED. US PATENT 5,609,784