

B Series Fuel Oil Transfer Pumps



A total service product from your unique, single-source supplier

B series transfer pumps are designed to provide efficient pumping of #1 to #6 fuels oils, in capacities from 80 to 290 gallons per hour, at pressures up to 500 PSI (except #1 oil). With high-density gray iron body construction, heat-treated alloy steel gears and shafts, and special antifriction bearings. B series transfer pumps offer superior durability and high mechanical efficiency. Double lip Viton seals, are

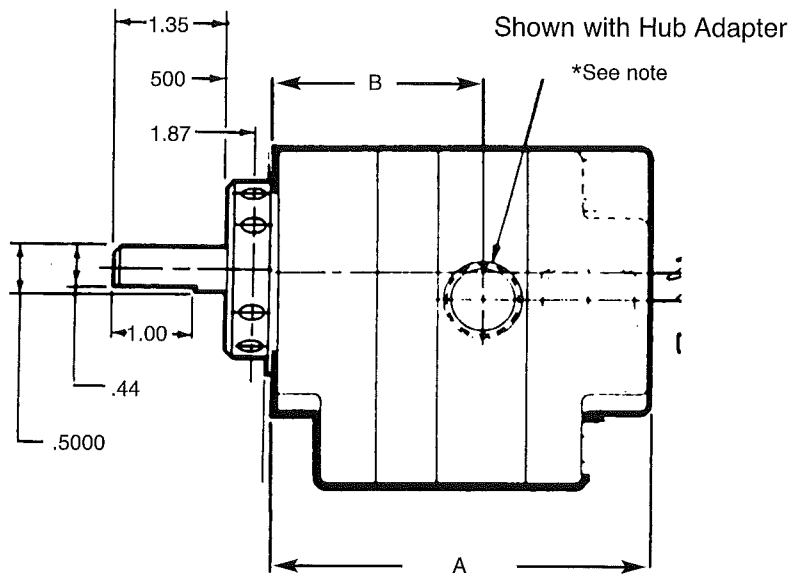
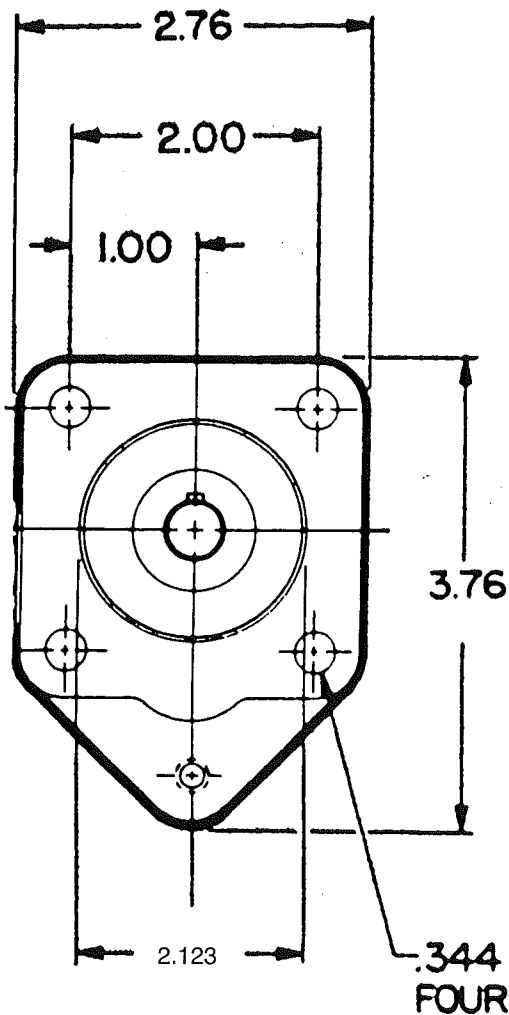
standard. B series pumps are available in either — clockwise (right hand) or counter-clockwise (left hand) rotations. These pumps are also available in pump and motor packages. Available in 115 volt single phase or 230 volt three phase, simplex, duplex automatic and duplex manual configurations. All B series pumps are UL approved.

Specifications

Gear Sizes:	18B (.35" gear width) 37B (.70" gear width) 47B (1.00" gear width) 59B (1.40" gear width)	Shaft Seal:	Standard - Double lip type, Viton
Capacity:	80 to 290 GPH @ 1750 RPM #1 to #6 fuel oil @ 75 degrees F., 100 PSI)	Mounting:	Hub, 2 1/8" , with 8 standard hub spots
Pressures:	#4 to #6 fuel oils - up to 500 PSI #2 fuel oil - up to 350 PSI	Shaft Rotation:	RH Rotational LH Rotation
Operating Speeds:	To 3600 RPM	Filter:	No internal filter External filter recommended
Porting: *	1/2" NPTF: Side inlet and side outlet 3/4" NPTF: Side inlet and side outlet 59B only	Relief Valve:	No Relief Valve Use External Relief Valve
Drive:	Direct, or belt	Inlet Vacuum:	10" Hg maximum
		UL Listed	

Dimensions

CODE	DIM "A"	DIM "B"
18B	3.36	2.66
37B	3.71	3.02
47B	4.05	2.13
59B	4.40	2.30



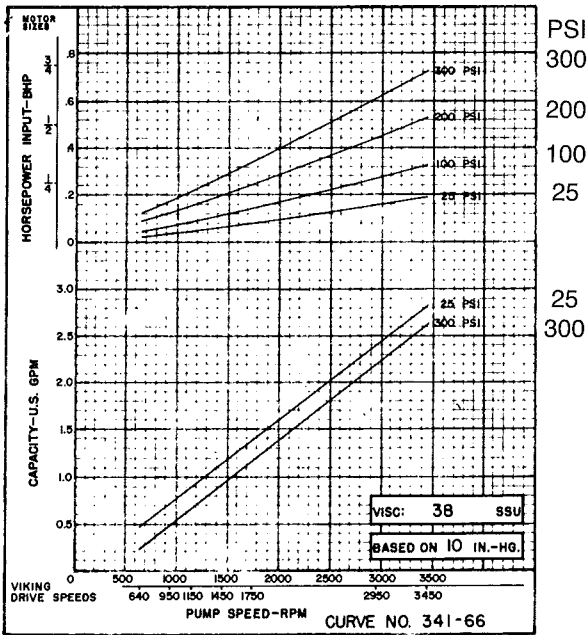
Selection Table

Pump capacity at 100 PSI with #2 fuel oil at 75°F.

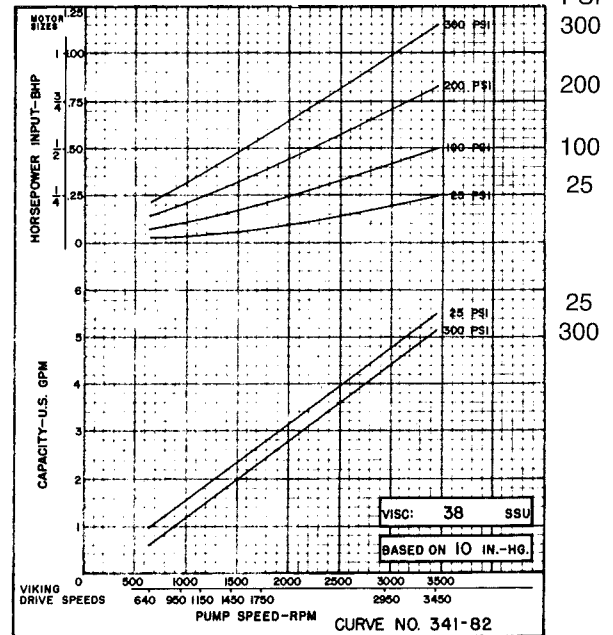
1750 RPM		
Pump Model*	Input hp	gph
18B	.14	80
37B	.21	155

Typical Performance Curves

No. 2 Fuel Oil @ 75 Degrees F, 0" Hg - Nos. 5 & 6 Fuel Oil @ 200 Degrees F., 5" Hg
 (Note - Operation of pumps with #1 Fuel Oil is not recommended above 300 PSI)



18B



37B

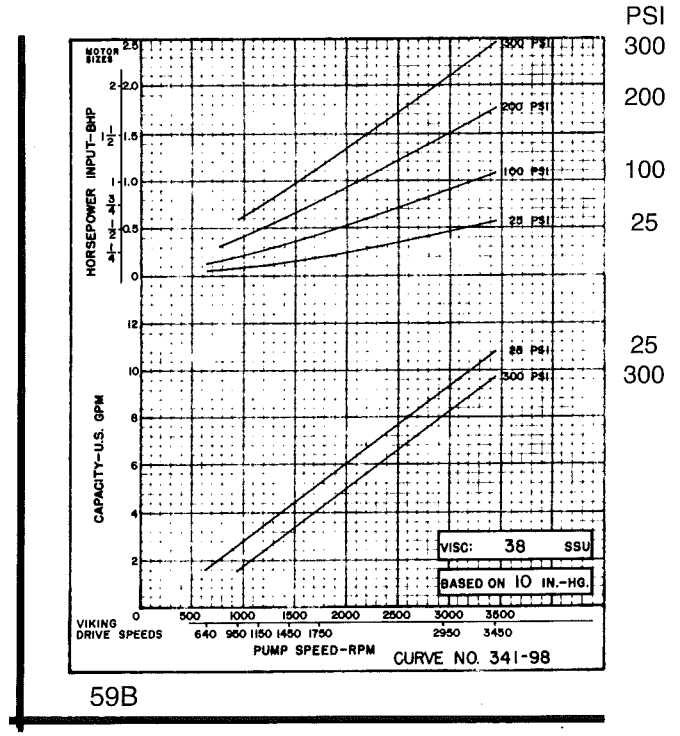
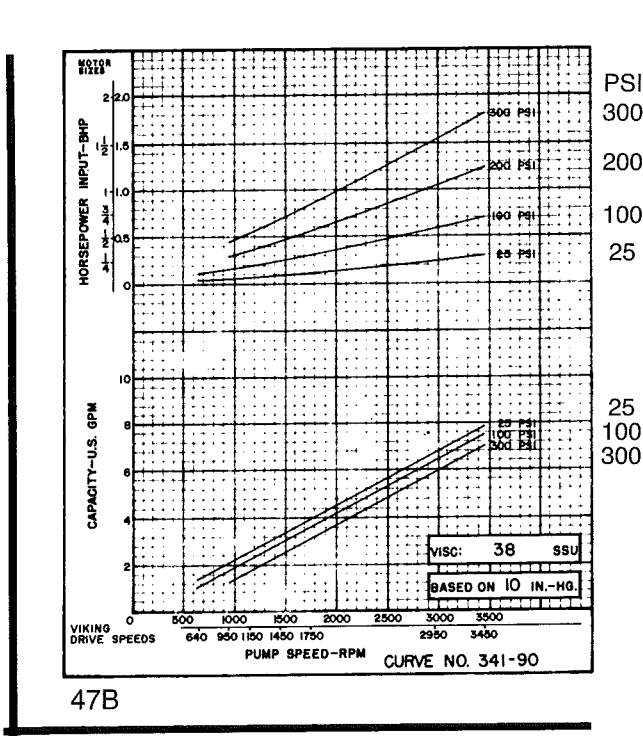
Selection Table

Pump capacity at 100 PSI with #2 fuel oil at 75°F.

Pump Model*	1750 RPM	
	Input hp	gph
47B	.30	220
59B	.45	290

Typical Performance Curves

No. 2 Fuel Oil @ 75 Degrees F., 0" Hg - Nos. 5 & 6 Fuel Oil @ 200 Degrees F., 5" Hg
 (Note - Operation of pumps with #1 Fuel Oil is not recommended above 300 PSI)



Webster®
 Fuel Pumps & Valves

219 Hahn Road • Frankfort, KY 40601
 (502) 223-0025 • (800) 766-1233 • FAX (502) 223-4629